

MEKASTER TOOLS LTD.

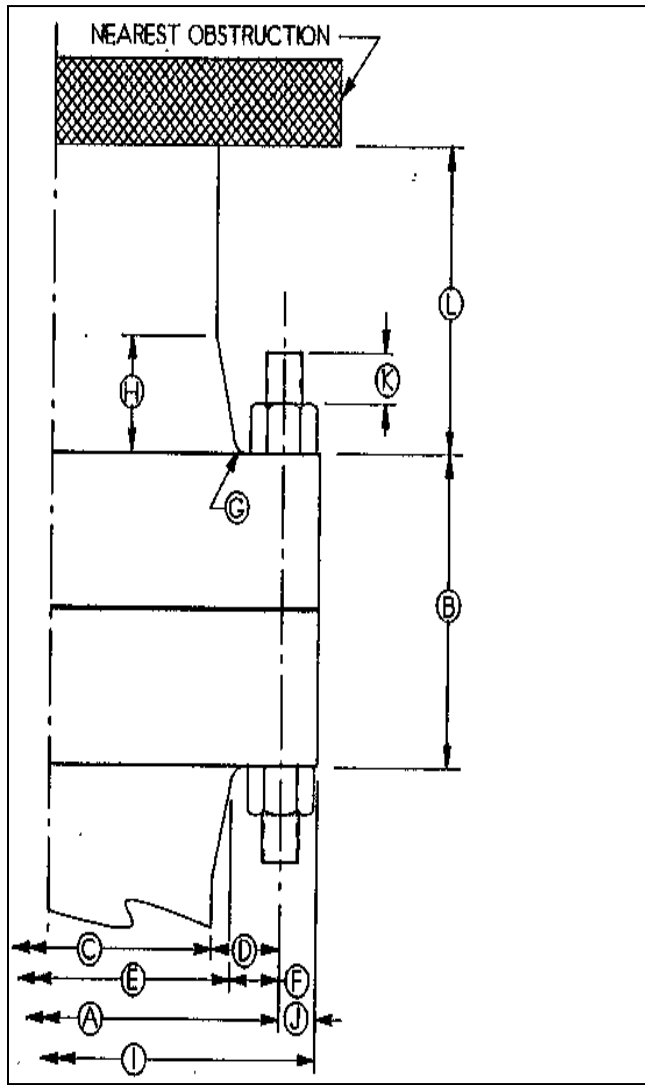
HYDRAULIC STUD TENSIONER APPLICATION SHEET

STUD/BOLT

DIAMETER _____
THREADS/INCH _____ OR PITCH _____
NUMBER _____
MATERIAL _____

NUT & WASHER

HEX NUT ACROSS FLAT DIM _____ OR ROUND NUT DIAMETER _____
WASHER <input type="checkbox"/> NO <input type="checkbox"/> YES DIA _____ THICKNESS _____



<u>LOAD REQUIREMENTS</u> _____ Kgf

<u>SPECIAL CONDITIONS/COMMENTS:</u> _____ _____ _____
--

<u>FLANGE SPECIFICATION</u> (e.g.: ANSI/ASME 16.5-12"x600)

<u>PCD (A)</u> _____ (B) _____
<u>OUTSIDE PIPE DIA(C)</u> OR (D) _____
<u>DIA AT BOTTOM OF TAPPER (E)</u> OR (F) _____
<u>CORNER RADIUS (G)</u> _____
<u>TAPPER LENGTH (H)</u> _____
<u>FLANGE O.D.(I)</u> OR (J) _____
<u>STUD PROJECTION (K)</u> _____
<u>VERTICAL CLEARENCE (L)</u> _____

<u>NAME</u> _____
<u>DESIGNATION</u> _____
<u>COMPANY</u> _____
<u>LOCATION</u> _____
<u>TELEPHONE</u> _____
<u>FAX</u> _____
<u>EMAIL</u> _____