



MEKASTER INDUSTRIAL TOOLS

Industrial Tools are an indispensable part of any manufacturing unit. Any compromise on the quality of the tools may result into wastage of both time and resources. Mekaster has been the pioneer in the introduction of heavy duty industrial tools since 1970.

Be it a petrochemical plant, a refinery, an automobile manufacturer, a ship builder, the railways or power plants, Mekaster heavy duty industrial tools find a place everywhere.

The wide range of Mekaster heavy duty industrial tools are designed to cater to the requirements of its customers. Highly reliable with a minimum downtime these tools are designed keeping the safety factor in mind. Each tool is individually inspected and tested before it reaches the customer.

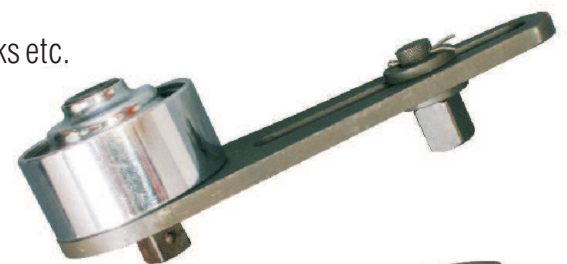
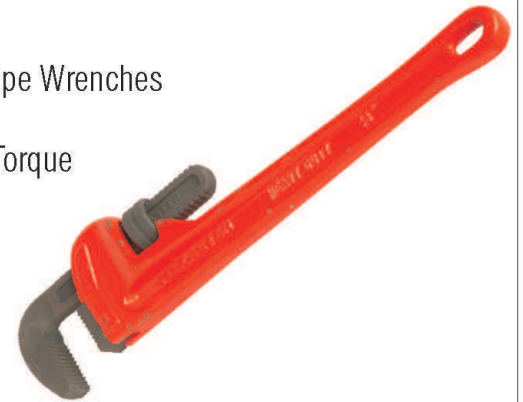
Providing World Class Industrial Tools is our motto....

MEKASTER'S RANGE

Mekaster Industrial tools are designed to meet the requirements of Heavy Industries, Thermal Power Plants, Oil Industries, Petroleum, Automobiles, Railways, Engineering Industries etc.

The wide range of industrial tools are broadly categorised as follows:--

- MANUAL APPLICATIONS:- Sockets, Driving Tools, Driving Accessories & other Tools
- IMPACT APPLICATIONS:- Sockets, Driving Tools, Driving Accessories & other Tools
- WRENCHES:- Open Jaw, Box, Combination, Slugging, Constructions & Pipe Wrenches
- TORQUE TOOLS:- Mechanical, Electronic, Electric, Pneumatic & Hydraulic Torque Tools
- HYDRAULIC STUD TENSIONER
- PULLERS & PRESSES:- Hydraulic & Mechanical
- HYDRAULIC APPLICATION TOOLS:- Flange Spreader, Nut splitters etc.
- HYDRAULIC JACKS :- Single/Double acting, Telescopic & Light Alloy etc.
- HYDRAULIC PUMPS:- Hand/Electric
- HYDRAULIC ACCESSORIES:- Hoses, Coupling etc.
- TOOL KITS:- Standard & Customized
- STEEL BOXES & ROLL CABS
- RAILWAY TOOLS:- Torque Wrench, Axle Bearing pullers, Traversing Jacks etc.
- HEMM TOOLS :- Master Pin Puller/Pusher, Trolley Mounted Jack
- IN-SITU VALVE GRINDING MACHINES:- for globe & gate valves





Mekaster Industrial Tools are designed to meet the requirement of Heavy Industries, Power Plants, Oil Industries, Petroleum, Automobiles, Cement Plants Railways and Mining Industries.

SOCKETS & DRIVING ACCESSORIES

Manual Applications

Sockets (Metric Size)	Page.No
Sockets (American Size)	1
Hex Adaptors	2
Driving Accessories (Extension Bar, Universal Joint, Square Drive Adaptor & Driving tools)	3
Nut Spinners & Socket Sets	4
	5

Impact Applications

Sockets (Metric Size)	6
Sockets (American Size)	7
Hex Adaptors & Extension Bars	8
Stud Tighteners & Square Drive Adaptors	9
Swivel Sockets, Extension Sockets, Swivel Extension Sockets & Socket Sets	10 - 11
Surface Drive Sockets	12

WRENCHES

DIN Type double open ended, Double ended deep offset ring	13
Combination, Single Open Jaw & Open Jaw Slugging Spanners	
Slugging Wrenches / Insert Sockets & Shortended Ring Spanners	14
Offset Slugging Wrenches, Construction Wrenches (Podger Spanner)	15
Ratcheting Spanners & Heavy Duty pipe Wrenches	16

TORQUE TOOLS

Mechanical Torque Wrenches	17
Preset & Light weight Mechanical Torque Wrenches	18
Preset Light Weight & Micro Metric Torque Wrenches	19
Micrometer Mini & Preset with soft Handel Torque Wrenches	20
Micrometer Adjustable open & Torque wrench & Torque Screw driver	21
Electronic Torque Wrenches & Screw Drivers	22
Electronic Torque Testers & Standard Torque Multiplier	23
Light Weight Torque Multiplier & Straight Electric Torque Wrenches	24
Angled & Special Electric Torque Wrenches	25
Pneumatic & Battery Operated Torque Wrenches	26
Steel Body Hydraulic Torque Wrenches (Square Drive & Ratcheting Hex Wrench)	27
Hex Wrenches	28
Swivel Design Hydraulic Torque Wrenches (Square Drive & Ratcheting Hex Wrench)	29
Light Weight & Cassette Type Hydraulic Torque Wrenches	30
Hydraulic Torque Wrench Power Consoles	31

HYDRAULIC STUD TENSIONER

	32
PULLERS & PRESSES	33-36

HYDRAULIC APPLICATION TOOLS

	37
HYDRAULIC JACKS	38-48

HYDRAULIC PUMPS	49-51
------------------------	-------

HYDRAULIC ACCESSORIES	52-53
------------------------------	-------

TOOL KITS	54
------------------	----

STEEL BOXES & ROLL CABS	55
------------------------------------	----

RAILWAY TOOLS	56-57
----------------------	-------

HEMM TOOLS	58-59
-------------------	-------

IN-SITU VALVE GRINDING MACHINES	60-61
--	-------

USEFUL INFORMATION

Across Flat Of Nuts (nominal Size) For Various Thread Diameter	62
Torque Estimation (conversion Chart)	63

High performance, reliable range of Industrial Sockets, Driving tools and Accessories have been developed keeping in view the stringent requirements of Heavy Industry.

FEATURES

Design

All tools are designed for high performance. These tools exceed ultimate proof-testing requirements of ANSI, ISO, ISI, and other standards by a factor of 30% to 100% depending on size and design.

Raw Material

The best available raw material procured directly from main producers, is used. The raw material has an optimum composition of alloying elements keeping detrimental elements, phosphorous and sulphur to bare minimum.

Precision Manufacture

All tools are machine finished for close tolerances ensuring precise fit on fasteners and optimum life under high torque operations.

Heat Treatment

An exhaustive heat treatment procedure including special multiple tempering has been developed. Complete process is carried out 'in-house' on electrically operated heat treatment plant fitted with latest automatic temperature controllers.

Quality Control

A "Total Quality Control" including 100% checks on hardness and dimensions.

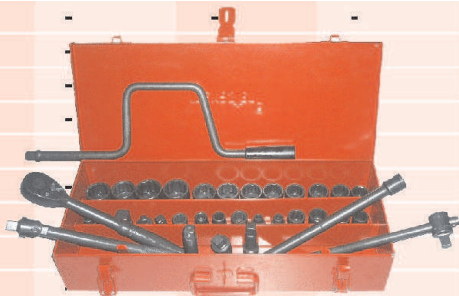
Finishing

All tools are finished black using a patented manganese phosphating process to prevent fatigue associated with hydrogen embrittlement caused by Ni-Cr plating.



SOCKETS Double Hex Metric Size (mm)

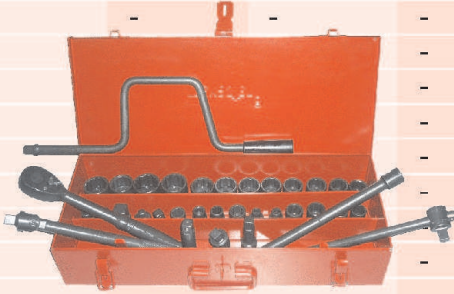
Size SW (mm)	Square Drive				
	1/4" (6.3mm)	3/8" (10mm)	1/2" (12.5mm)	3/4" (20mm)	1" (25mm)
05.5	MM-05.5	-	-	-	-
06.0	MM-06	MM-106	-	-	-
07.0	MM-07	MM-107	-	-	-
08.0	MM-08	MM-108	MM-208	-	-
09.0	MM-09	MM-109	MM-209	-	-
10.0	MM-010	MM-110	MM-210	-	-
11.0	MM-011	MM-111	MM-211	-	-
12.0	MM-012	MM-112	MM-212	-	-
13.0	MM-013	MM-113	MM-213	-	-
14.0	MM-014	MM-114	MM-214	-	-
15.0	-	MM-115	MM-215	-	-
16.0	-	MM-116	MM-216	-	-
17.0	-	MM-117	MM-217	MLM-317	-
18.0	-	MM-118	MM-218	MLM-318	-
19.0	-	MM-119	MM-219	MLM-319	-
20.0	-	MM-120	MM-220	-	-
21.0	-	MM-121	MM-221	MLM-321	-
22.0	-	MM-122	MM-222	MLM-322	-
23.0	-	-	MM-223	-	-
24.0	-	-	MM-224	MLM-324	-
25.0	-	-	MM-225	-	-
26.0	-	-	MM-226	-	-
27.0	-	-	MM-227	MLM-327	MLM-427
28.0	-	-	MM-228	MLM-328	MLM-428
29.0	-	-	MM-229	MLM-329	MLM-429
30.0	-	-	MM-230	MLM-330	MLM-430
31.0	-	-	MM-231	-	-
32.0	-	-	MM-232	MLM-332	MLM-432
33.0	-	-	MM-233	MLM-333	MLM-433
34.0	-	-	MM-234	MLM-334	MLM-434
35.0	-	-	-	MLM-335	MLM-435
36.0	-	-	-	MLM-336	MLM-436
38.0	-	-	-	MLM-338	MLM-438
41.0	-	-	-	MLM-341	MLM-441
46.0	-	-	-	MLM-346	MLM-446
50.0	-	-	-	MLM-350	MLM-450
55.0	-	-	-	MLM-355	MLM-455
60.0	-	-	-	MLM-360	MLM-460
65.0	-	-	-	-	MLM-465*
70.0	-	-	-	-	MLM-470*
75.0	-	-	-	-	MLM-475*
80.0	-	-	-	-	MLM-480*
85.0	-	-	-	-	MLM-485*



*Manual Single Hex Socket
 Intermediate/Special Sizes are also available
 Suffix 'D' with Part no. for extra long (Deep) Socket
 Sockets available in sets with driving accessories stored in Steel box

SOCKETS Double Hex American Size (inch)

Size SW (mm)	Square Drive				
	1/4" (6.3mm)	3/8" (10mm)	1/2" (12.5mm)	3/4" (20mm)	1" (25mm)
1/4"	M-00	M-100	-	-	-
9/32"	M-0S	-	-	-	-
5/16"	M-00-1	M-100-1	-	-	-
11/32"	M-00-2	-	-	-	-
3/8"	M-01	M-101	M-201	-	-
7/16"	M-03	M-103	M-203	-	-
1/2"	M-04	M-104	M-204	-	-
9/16"	M-05	M-105	M-205	ML-301	-
5/8"	-	M-107	M-207	ML-302	-
11/16"	-	M-108	M-208	ML-303	-
3/4"	-	M-109	M-209	ML-304	-
13/16"	-	M-111	M-211	ML-305	-
7/8"	-	M-112	M-212	ML-306	-
15/16"	-	-	M-213	ML-307	-
1"	-	-	M-214	ML-308	-
1.1/16"	-	-	M-215	ML-309	ML-409
1.1/8"	-	-	M-216	ML-310	ML-410
1.3/16"	-	-	M-217	ML-311	ML-411
1.1/4"	-	-	M-218	ML-312	ML-412
1.5/16"	-	-	-	ML-313	ML-413
1.3/8"	-	-	-	ML-314	ML-414
1.7/16"	-	-	-	ML-315	ML-415
1.1/2"	-	-	-	ML-316	ML-416
1.5/8"	-	-	-	ML-318	ML-418
1.11/16"	-	-	-	-	ML-419
1.3/4"	-	-	-	-	ML-420
1.13/16"	-	-	-	-	ML-421
1.7/8"	-	-	-	-	ML-422
1.15/16"	-	-	-	-	ML-423
2"	-	-	-	-	ML-424
2.1/16"	-	-	-	-	ML-425
2.3/16"	-	-	-	-	ML-427
2.1/4"	-	-	-	-	ML-428
2.3/8"	-	-	-	-	ML-430
2.7/16"	-	-	-	-	ML-431
2.9/16"	-	-	-	-	ML-433*
2.5/8"	-	-	-	-	ML-434*
2.3/4"	-	-	-	-	ML-436*
2.13/16"	-	-	-	-	ML-437*
2.15/16"	-	-	-	-	ML-439*
3"	-	-	-	-	ML-440*
3.1/8"	-	-	-	-	ML-441*
3.3/8"	-	-	-	-	ML-443*
3.1/2"	-	-	-	-	ML-444*



*Manual Single Hex Socket
 Intermediate/Special Sizes are also available
 Suffix 'D' with Part no. for extra long (Deep) Socket
 Sockets available in sets with driving accessories stored in Steel box

HEX ADAPTOR Metric Size (mm)

Size SW (mm)	Square Drive				
	1/4" (6.3mm)	3/8" (10mm)	1/2" (12.5mm)	3/4" (20mm)	1" (25mm)
Part No					
3	HMF-03	HMF-103	-	-	-
4	HMF-04	HMF-104	-	-	-
5	HMF-05	HMF-105	-	-	-
6	HMF-06	HMF-106	HMF-206	-	-
8	-	HMF-108	HMF-208	-	-
10	-	HMF-110	HMF-210	-	-
12	-	-	HMF-212	HMF-312	-
14	-	-	HMF-214	HMF-314	-
17	-	-	HMF-217	HMF-317	HMF-417
19	-	-	-	HMF-319	HMF-419
22	-	-	-	HMF-322	HMF-422
24	-	-	-	HMF-324	HMF-424
27	-	-	-	-	HMF-427
30	-	-	-	-	HMF-430
32	-	-	-	-	HMF-432
36	-	-	-	-	HMF-436

Also available in sets



HEX ADAPTOR American Size (inch)

Size SW (mm)	Square Drive				
	1/4" (6.3mm)	3/8" (10mm)	1/2" (12.5mm)	3/4" (20mm)	1" (25mm)
Part No					
1/8"	HF-0D	HF-100-D	-	-	-
5/32"	HF-0C	HF-100-C	-	-	-
3/16"	HF-0B	HF-100-B	-	-	-
7/32"	HF-0A	HF-100-A	-	-	-
1/4"	HF-00	HF-100	HF-200	-	-
5/16"	-	HF-100-1	HF-200-1	-	-
3/8"	-	HF-101	HF-201	-	HF-400
1/2"	-	-	HF-204	HF-300-2	HF-400-2
9/16"	-	-	HF-205	HF-301	HF-401
5/8"	-	-	HF-207	HF-302	HF-402
3/4"	-	-	-	HF-304	HF-404
7/8"	-	-	-	HF-306	HF-406
15/16"	-	-	-	-	HF-407
1"	-	-	-	-	HF-408
1.1/16"	-	-	-	-	HF-409
1.1/8"	-	-	-	-	HF-410

Also available in sets



DRIVING ACCESSORIES

Extension Bar

Square Drive

1/4" (6.3mm)	3/8" (10mm)	1/2" (12.5mm)	3/4" (20mm)	1" (25mm)
MEB-055	MEB-175	MEB-275	MEB-3210	MEB-4200
MEB-0100	MEB-1150	MEB-2125	MEB-3430	MEB-4400
MEB-0150	MEB-1300	MEB-2250		

Figures in **BOLD** indicate O.A.L.



Universal Joint

Square Drive

1/4" (6.3mm)	3/8" (10mm)	1/2" (12.5mm)	3/4" (20mm)	1" (25mm)
MUJ-6	MUJ-10	MUJ-12	MUJ-20	MUJ-25



Square Drive Adaptor

Part No. Size	MA-1	MA-2	MA-3	MA-4	MA-5
1/4" (6.3mm)	○	■	-	-	-
3/8" (10mm)	■	○	○	■	-
1/2" (12.5mm)	-	-	■	○	■
3/4" (20mm)	-	-	-	-	○
Part No. Size	MA-6	MA-9	MA-10	MA-11	MA-12
1/2" (12.5 mm)	○	-	-	-	-
3/4" (20 mm)	■	○	■	-	-
1" (25 mm)	-	■	○	○	■
1 1/2" (40 mm)	-	-	-	■	○

○ Female Drive Size ■ Male Drive Size

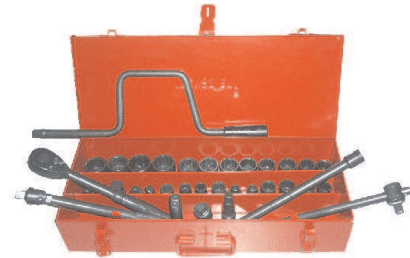
Driving Tools

Square Drive

Item	1/4" (6.3mm)	3/8" (10mm)	1/2" (12.5mm)	3/4" (20mm)	1" (25mm)	1.1/2" (40mm)
Reversible Ratchet	MRR-620 (20T)	MRR-1020 (20T)	MRR-1224 (24T)	MRR-20 (32T)	MRR-25 (30T)	-
	MRR-630 (30T)	MRR-1030 (30T)	MRR-1232 (32T)	-	-	-
Sliding T-Handle	MSB-115	MSB-250	MSB-300	MSB-500	MSB-750	MSB-920
Swivel Handle	MSH-6	MSH-10	MSH-12	MSH-20	MSH-25	-
Speed Brace	MS-6	MS-10	MS-12	-	-	-
Angle Handle	-	-	MAH-165	MAH-20	MAH-25	-

NUT SPINNERS

SW Size(Metric)	Part No.	OAL	SW Size(Inch)	Part No.	OAL
5.0	MNSM-05	155	3/16	MNS-0B	155
5.5	MNSM-05.5	155	7/32	MNS-0A	155
6.0	MNSM-06	155	1/4	MNS-00	155
7.0	MNSM-07	155	9/32	MNS-0S	155
8.0	MNSM-08	190	5/16	MNS-00-1	190
9.0	MNSM-09	190	11/32	MNS-00-2	190
10.0	MNSM-010	190	3/8	MNS-01	190
11.0	MNSM-011	220	13/32	MNS-02	190
12.0	MNSM-012	220	7/16	MNS-03	220
13.0	MNSM-013	220	1/2	MNS-04	220
14.0	MNSM-014	220	9/16	MNS-05	220



SOCKET SETS

Square Drive	Socket Set Part No	Particulars
1/4	010-MM	Set of 10 pieces covering sizes (mm) 5.5,6, 7,8,9,10,11,12,13 & 14mm.
1/4	015-MM-B	Set of 15 pieces covering sizes (mm) from 5.5 to 13mm with Ratchet Handle, Extension Bar 55, 100 & 150mm, Swivel Handle, Speed Brace. In Steel Box.
1/4	008-M	Set of 8 pieces covering sizes (inch) 1/4, 9/32, 5/16,11/32, 3/8, 7/16 1/2 and 9/16.
1/4	014-M-B	Set of 14 Pieces covering Sizes (inch) 1/4, 9/32, 5/16, 11/32,3/8, 7/16, 1/2, 9/16 with Reversible Ratchet , Extension Bar 55, 100& 150 mm, Sliding T Handle , Swivel Handle . Stored in Steel Box.
3/8	117-MM	Set of 17 pieces Covering (mm) 6, 7,8 , 9, 10, 11, 12, 13, 14, 15, 16, 17, 18, 19, 20, 21 & 22.
3/8	125-MM-B	Set of 25 pieces Covering (mm) 6, 7, 8, 9, 10, 11, 12, 13, 14, 15, 16, 17, 18, 19, 20, 21 & 22 with Reversible Ratchet , Sliding T-Handle bar , Swivel Handle , Universal Joint , Extension Bars 75, 150 & 300mm, Speed Brace . Stored in Steel Box.
3/8	111-M	Set of 11 pieces Covering (inch) 1/4, 5/16,3/8,7/16,1/2,9/16, 5/8,11/16,3/4,13/16 & 7/8.
3/8	119-M-B	Set of 19 pieces Covering (inch) 1/4, 5/16, 3/8, 7/16, 1/2, 9/16, 5/8, 11/16, 3/4, 13/16, 7/8, with Reversible Ratchet, Sliding T-Handle, Swivel Handle, Universal Joint, Extension Bar 75, 150, 300mm,Speed Brace. Stored In Steel Box
1/2	223-MM-B	Set of 23 pieces Covering Sizes (mm) 10, 11, 13, 14, 17, 19, 22, 24, 27, 30, 32 with Reversible Ratchet , Sliding T Handle, Swivel Handle , Universal Joint , Extension Bar 75, 125 & 250mm, Angle Handel , Adaptor (3/8F x 1/2 M, 1/2F x 3/8 , 1/2F x 3/4M), Speed Brace . Stored In Steel Box
1/2	228-MM-B	Set of 28 pieces Covering Sizes (mm) 11, 12, 13, 14, 15, 16, 17, 18, 19, 20, 21, 22, 23, 24, 25, 26, 27, 28, 30 & 32mm with Sliding T Handle, Reversible Ratchet, Extension Bar 125mm & 250mm, Universal Joint, Adaptor 3/8F x 1/2 M, 1/2F x3/8 M, 1/2F x 3/4M . Stored In Steel Box
1/2	229-MM-B	Set of 29 pieces Covering Sizes (mm) 11, 12, 13, 14, 15, 16, 17, 18, 19, 20, 21, 22, 23, 24, 25, 26, 27, 28, 30 & 32 mm with Sliding T-handle, Extension Bars 125 & 250, Reversible Ratchet, Universal Joint, Square Drive Adaptors (3/8F x 1/2 M, 1/2F x 3/8 , 1/2F x 3/4M), Speed Brace . Stored In Steel Box
1/2	224-M-B	Set of 24 pieces Covering sizes (inch) 3/8, 7/16, 1/2, 9/16, 5/8, 11/16, 3/4, 13/16, 7/8, 15/16, 1, 1.1/16, 1.1/8, 1.3/16, 1.1/4 with accessories: Sliding T-handle, Extension Bars 125, 250, Reversible Ratchet , Universal Joint , Square Drive Adaptors (3/8F x 1/2 M, 1/2F x 3/8 M, 1/2F x 3/4M), Speed Brace. All Stored in Steel Box.
1/2	231-MA-B	Set of 31 pieces Covering Sizes (mm) 10, 11, 13, 14, 17, 19, 22, 24, 27, 30, 32 and (Inch) 3/8, 7/16, 1/2, 9/16, 5/8, 11/16, 3/4, 7/8, 1, 1.1/8, 1.1/4. with Sliding T Handle , Reversible Ratchet, Universal Joint, Speed Brace, Extension Bars 75,125, Square Drive Adaptors (3/8F x 1/2 M, 1/2F x 3/8 M, 1/2F x 3/4M). Stored in Steel Box.
1/2	233-MM-B	Set of 33 pieces Covering Sizes (mm) 06, 07, 08, 09, 10, 11, 12, 13, 14, 15, 16, 17, 18, 19, 20, 21, 22, 23, 24, 25, 26, 27, 28, 30 & 32. with Reversible Ratchet Handle, Sliding T-Handle Extension Bar 75, 125mm, Universal Joint, Speed Brace, Swivel Handle, Angle L-Handle. All Stored in Steel Box.
3/4	316-MLM-B	Set of 16 Pieces Covering Sizes (mm) 18,19,21,22,24,27,30,32,34,36,38,41,46, 50, 55 & 60. Stored In Steel Box
3/4	322-MLM-B	Set of 22 Pieces Covering Sizes (mm) 18, 19, 21, 22, 24, 27, 30, 32, 34, 36, 38, 41, 46, 50, 55 and 60 mm with Reversible Ratchet, Extension Bar 210mm & 430mm, Sliding T-Bar, Swivel Handle and Universal Joint . Stored In Steel Box
3/4	316-ML-B	Set of 16 Pieces Covering Sizes (inch) 9/16, 5/8, 11/16, 3/4, 13/16, 7/8, 15/16, 1, 1.1/16, 1.1/8, 1.1/4, 1.5/16, 1.3/8, 1.7/16, 1.1/2 and 1.5/8 .In Steel Box
3/4	322-ML-B	Set of 22 Pieces Covering Sizes (inch) 9/16 to 1.5/8 with attachments Reversible Ratchet , Extension Bar 210mm & 430mm, Sliding T Handle, Swivel Handle and Universal Joint. Stored In Steel Box
1	415-MLM-B	Set of 15 Pieces Covering Sizes (mm) 27, 30, 32, 36, 38, 41, 46, 50, 55, 60, 65, 70, 75, 80, 85. Stored In Steel Box
1	415-ML-B	Set of 15 Pieces Covering Sizes (inch) 1.1/8,1.1/4, 1.3/8,1.1/2,1.5/8,1.7/8,2, 2.1/4,2.3/8, 2.5/8,2.3/4,3,3.1/8,3.3/8 3.1/2. Stored In Steel Box
1	423-MLM-B	Set of 23 Pieces Covering Sizes (mm) 27, 30, 32, 36, 38, 41, 46, 50, 55, 60 & Single Hex 65, 70, 75, 80 & 85mm with reversible ratchet, Sliding T Handle , Swivel Handle, Extension Bar 200mm & 400mm, Universal Joint, Adaptor (1 F x 1.1/2M & 1.1/2F x 1 M). Stored In Steel Box
1	423-ML-B	Set of 23 Pieces Covering Sizes (inch) 1.1/8,1.1/4, 1.3/8,1.1/2,1.5/8,1.7/8, 2.2,1/4,2.3/8, 2.5/8,2.3/4,3,3.1/8,3.3/8 & 3.1/2 with Reversible Ratchet,Sliding T-handle,Swivel Handle, Extension Bar 200mm and 400mm,Universal Joint,Square Drive Adaptors (1 F x 1.1/2M & 1.1/2F x 1 M). Stored In Steel Box
1	428-ML-B	Set of 28 Pieces Covering Sizes (inch) 1.1/16 to 3.1/2. Stored In Steel Box
1	436-ML-B	Set of 36 Pieces Covering Sizes (inch) 1.1/16, 1.1/8, 1.1/4, 1.5/16, 1.3/8, 1.7/16, 1.1/2, 1.5/8, 1.11/16, 1.3/4, 1.13/16, 1.7/8, 1.15/16, 2, 2.1/16, 2.3/16, 2.1/4, 2.3/8, 2.7/16 , 2.9/16, 2.5/8, 2.3/4, 2.13/16, 2.15/16, 3, 3.1/8, 3.3/8, 3.1/2 with Reversible Ratchet,Sliding T-handle,Swivel Handle, Extension Bar 200mm and 400mm,Universal Joint,Square Drive Adaptors (1 F x 1.1/2M & 1.1/2F x 1 M). Stored In Steel Box

SOCKETS Single/Double Hex Metric Size (mm)

Size SW (mm)	Square Drive									
	1/4"		3/8"		1/2"		3/4"	1"	1 1/2"	2 1/2"
	6 Pt	12 Pt	6 Pt	12 Pt	6 Pt	12 Pt	6 Pt	6 Pt	6 Pt	6 Pt
6	GIM-06	GMM-06	-	-	-	-	-	-	-	-
7	GIM-07	GMM-07	GIM-107	GMM-107	-	-	-	-	-	-
8	GIM-08	GMM-08	GIM-108	GMM-108	GIM-208	GMM-208	-	-	-	-
9	GIM-09	GMM-09	GIM-109	GMM-109	GIM-209	GMM-209	-	-	-	-
10	GIM-010	GMM-010	GIM-110	GMM-110	GIM-210	GMM-210	-	-	-	-
11	GIM-011	GMM-011	GIM-111	GMM-111	GIM-211	GMM-211	-	-	-	-
12	GIM-012	GMM-012	GIM-112	GMM-112	GIM-212	GMM-212	-	-	-	-
13	GIM-013	GMM-013	GIM-113	GMM-113	GIM-213	GMM-213	-	-	-	-
14	GIM-014	GMM-014	GIM-114	GMM-114	GIM-214	GMM-214	-	-	-	-
15	-	-	GIM-115	GMM-115	GIM-215	GMM-215	-	-	-	-
16	-	-	GIM-116	GMM-116	GIM-216	GMM-216	-	-	-	-
17	-	-	GIM-117	GMM-117	GIM-217	GMM-217	MIM-317	-	-	-
18	-	-	GIM-118	GMM-118	GIM-218	GMM-218	MIM-318	-	-	-
19	-	-	GIM-119	GMM-119	GIM-219	GMM-219	MIM-319	MIM-419	-	-
20	-	-	-	-	GIM-220	GMM-220	-	-	-	-
21	-	-	-	-	GIM-221	GMM-221	MIM-321	MIM-421	-	-
22	-	-	-	-	GIM-222	GMM-222	MIM-322	MIM-422	-	-
23	-	-	-	-	GIM-223	GMM-223	-	-	-	-
24	-	-	-	-	GIM-224	GMM-224	MIM-324	MIM-424	-	-
25	-	-	-	-	GIM-225	GMM-225	-	-	-	-
26	-	-	-	-	GIM-226	GMM-226	-	-	-	-
27	-	-	-	-	GIM-227	GMM-227	MIM-327	MIM-427	-	-
28	-	-	-	-	GIM-228	GMM-228	MIM-328	MIM-428	-	-
29	-	-	-	-	GIM-229	GMM-229	MIM-329	MIM-429	-	-
30	-	-	-	-	GIM-230	GMM-230	MIM-330	MIM-430	-	-
32	-	-	-	-	GIM-232	GMM-232	MIM-332	MIM-432	-	-
33	-	-	-	-	-	-	MIM-333	MIM-433	-	-
34	-	-	-	-	-	-	MIM-334	MIM-434	-	-
36	-	-	-	-	-	-	MIM-336	MIM-436	MIM-536	-
38	-	-	-	-	-	-	MIM-338	MIM-438	MIM-538	-
41	-	-	-	-	-	-	MIM-341	MIM-441	MIM-541	-
46	-	-	-	-	-	-	MIM-346	MIM-446	MIM-546	-
50	-	-	-	-	-	-	MIM-350	MIM-450	MIM-550	-
55	-	-	-	-	-	-	MIM-355	MIM-455	MIM-555	-
60	-	-	-	-	-	-	MIM-360	MIM-460	MIM-560	MIM-660
65	-	-	-	-	-	-	-	MIM-465	MIM-565	MIM-665
70	-	-	-	-	-	-	-	MIM-470	MIM-570	MIM-670
75	-	-	-	-	-	-	-	MIM-475	MIM-575	MIM-675
80	-	-	-	-	-	-	-	MIM-480	MIM-580	MIM-680
85	-	-	-	-	-	-	-	MIM-485	MIM-585	MIM-685
90	-	-	-	-	-	-	-	-	MIM-590	MIM-690
95	-	-	-	-	-	-	-	-	MIM-595	MIM-695
100	-	-	-	-	-	-	-	-	MIM-5100	MIM-6100
105	-	-	-	-	-	-	-	-	MIM-5105	MIM-6105
110	-	-	-	-	-	-	-	-	MIM-5110	MIM-6110
115	-	-	-	-	-	-	-	-	MIM-5115	MIM-6115
120	-	-	-	-	-	-	-	-	MIM-5120	MIM-6120
130	-	-	-	-	-	-	-	-	-	MIM-6130
135	-	-	-	-	-	-	-	-	-	MIM-6135
145	-	-	-	-	-	-	-	-	-	MIM-6145



Extra long (Deep) sockets available upto 1.1/2 square Drive size .
 Intermediate/Special Sizes are also available
 Suffix 'D' with Part no. for extra long (Deep) Socket
 Sockets available in sets stored in Steel box

SOCKETS Single/Double Hex American Size (inch)

Size		Square Drive									
SW (mm)	1/4"		3/8"		1/2"		3/4"	1"	1 1/2"	2 1/2"	
	6 Pt	12 Pt	6 Pt	12 Pt	6 Pt	12 Pt	6 Pt	6Pt	6 Pt	6 Pt	
1/4"	GI-00	GM-00	-	-	-	-	-	-	-	-	
9/32"	GI-0S	GM-0S	-	-	-	-	-	-	-	-	
5/16"	GI-00-1	GM-00-1	GI-100-1	GM-100-1	-	-	-	-	-	-	
11/32"	GI-00-2	GM-00-2	-	-	-	-	-	-	-	-	
3/8"	GI-01	GM-01	GI-101	GM-101	GI-201	GM-201	-	-	-	-	
7/16"	GI-03	GM-03	GI-103	GM-103	GI-203	GM-203	-	-	-	-	
1/2"	GI-04	GM-04	GI-104	GM-104	GI-204	GM-204	-	-	-	-	
9/16"	GI-05	GM-05	GI-105	GM-105	GI-205	GM-205	MI-301	-	-	-	
5/8"	-	-	GI-107	GM-107	GI-207	GM-207	MI-302	-	-	-	
11/16"	-	-	GI-108	GM-108	GI-208	GM-208	MI-303	-	-	-	
3/4"	-	-	GI-109	GM-109	GI-209	GM-209	MI-304	MI-404	-	-	
13/16"	-	-	-	-	GI-211	GM-211	MI-305	MI-405	-	-	
7/8"	-	-	-	-	GI-212	GM-212	MI-306	MI-406	-	-	
15/16"	-	-	-	-	GI-213	GM-213	MI-307	MI-407	-	-	
1"	-	-	-	-	GI-214	GM-214	MI-308	MI-408	-	-	
1 1/16"	-	-	-	-	GI-215	GM-215	MI-309	MI-409	-	-	
1 1/8"	-	-	-	-	GI-216	GM-216	MI-310	MI-410	-	-	
1 3/16"	-	-	-	-	GI-217	GM-217	MI-311	MI-411	-	-	
1 1/4"	-	-	-	-	GI-218	GM-218	MI-312	MI-412	-	-	
1 5/16"	-	-	-	-	-	-	MI-313	MI-413	-	-	
1 3/8"	-	-	-	-	-	-	MI-314	MI-414	MI-514	-	
1 7/16"	-	-	-	-	-	-	MI-315	MI-415	MI-515	-	
1 1/2"	-	-	-	-	-	-	MI-316	MI-416	MI-516	-	
1 5/8"	-	-	-	-	-	-	MI-318	MI-418	MI-518	-	
1 11/16"	-	-	-	-	-	-	-	MI-419	MI-519	-	
1 3/4"	-	-	-	-	-	-	-	MI-420	MI-520	-	
1 13/16"	-	-	-	-	-	-	-	MI-421	MI-521	-	
1 7/8"	-	-	-	-	-	-	-	MI-422	MI-522	-	
1 15/16"	-	-	-	-	-	-	-	MI-423	MI-523	-	
2"	-	-	-	-	-	-	-	MI-424	MI-524	-	
2 1/16"	-	-	-	-	-	-	-	MI-425	MI-525	-	
2 3/16"	-	-	-	-	-	-	-	MI-427	MI-527	-	
2 1/4"	-	-	-	-	-	-	-	MI-428	MI-528	MI-628	
2 3/8"	-	-	-	-	-	-	-	MI-430	MI-530	MI-630	
2 7/16"	-	-	-	-	-	-	-	MI-431	MI-531	MI-631	
2 9/16"	-	-	-	-	-	-	-	MI-433	MI-533	MI-633	
2 5/8"	-	-	-	-	-	-	-	MI-434	MI-534	MI-634	
2 3/4"	-	-	-	-	-	-	-	MI-436	MI-536	MI-636	
2 13/16"	-	-	-	-	-	-	-	MI-437	MI-537	MI-637	
2 15/16"	-	-	-	-	-	-	-	MI-439	MI-539	MI-639	
3"	-	-	-	-	-	-	-	MI-440	MI-540	MI-640	
3 1/8"	-	-	-	-	-	-	-	MI-441	MI-542	MI-642	
3 3/8"	-	-	-	-	-	-	-	MI-443	MI-546	MI-646	
3 1/2"	-	-	-	-	-	-	-	MI-444	MI-548	MI-648	
3 3/4"	-	-	-	-	-	-	-	-	MI-551	MI-651	
3 7/8"	-	-	-	-	-	-	-	-	MI-553	MI-653	
4 1/8"	-	-	-	-	-	-	-	-	MI-557	MI-657	
4 1/4"	-	-	-	-	-	-	-	-	MI-559	MI-659	
4 1/2"	-	-	-	-	-	-	-	-	MI-563	MI-663	
4 5/8"	-	-	-	-	-	-	-	-	MI-564	MI-664	
4 7/8"	-	-	-	-	-	-	-	-	-	MI-666	
5"	-	-	-	-	-	-	-	-	-	MI-667	
5 1/4"	-	-	-	-	-	-	-	-	-	MI-669	
5 3/8"	-	-	-	-	-	-	-	-	-	MI-670	
5 5/8"	-	-	-	-	-	-	-	-	-	MI-672	
5 3/4"	-	-	-	-	-	-	-	-	-	MI-673	
6"	-	-	-	-	-	-	-	-	-	MI-675	
6 1/8"	-	-	-	-	-	-	-	-	-	MI-676	
6 1/4"	-	-	-	-	-	-	-	-	-	MI-677	



Extra long (Deep) sockets available upto 1.1/2 square Drive size .

Intermediate/Special Sizes are also available

Suffix 'D' with Part no. for extra long (Deep) Socket

Sockets available in sets stored in Steel box

HEX ADAPTOR Metric Size (mm)

Size	Square Drive				
SW (mm)	1/4" (6.3mm)	3/8" (10mm)	1/2" (12.5mm)	3/4" (20mm)	1" (25mm)
3	GHIM-03	GHIM-103	-	-	-
4	GHIM-04	GHIM-104	-	-	-
5	GHIM-05	GHIM-105	-	-	-
6	GHIM-06	GHIM-106	GHIM-206	-	-
8	-	GHIM-108	GHIM-208	-	-
10	-	GHIM-110	GHIM-210	-	-
12	-	-	GHIM-212	HIMF-312	-
14	-	-	GHIM-214	HIMF-314	-
17	-	-	GHIM-217	HIMF-317	HIMF-417
19	-	-	-	HIMF-319	HIMF-419
22	-	-	-	HIMF-322	HIMF-422
24	-	-	-	HIMF-324	HIMF-424
27	-	-	-	-	HIMF-427
30	-	-	-	-	HIMF-430
32	-	-	-	-	HIMF-432
36	-	-	-	-	HIMF-436



HEX ADAPTOR American Size (inch)

Size	Square Drive				
SW (mm)	1/4" (6.3mm)	3/8" (10mm)	1/2" (12.5mm)	3/4" (20mm)	1" (25mm)
1/8"	GHI-0D	GHI-100-D	-	-	-
5/32"	GHI-0C	GHI-100-C	-	-	-
3/16"	GHI-0B	GHI-100-B	-	-	-
7/32"	GHI-0A	GHI-100-A	-	-	-
1/4"	GHI-00	GHI-100	GHI-200	-	-
5/16"	-	GHI-100-1	GHI-200-1	-	-
3/8"	-	GHI-101	GHI-201	-	HIF-400
1/2"	-	-	GHI-204	HIF-300-2	HIF-400-2
9/16"	-	-	GHI-205	HIF-301	HIF-401
5/8"	-	-	GHI-207	HIF-302	HIF-402
3/4"	-	-	-	HIF-304	HIF-404
7/8"	-	-	-	HIF-306	HIF-406
15/16"	-	-	-	-	HIF-407
1"	-	-	-	-	HIF-408
1.1/16"	-	-	-	-	HIF-409
1.1/8"	-	-	-	-	HIF-410



EXTENSION BAR

1/4" (6.3 mm)	3/8" (10 mm)	1/2" (12.5 mm)	3/4" (20 mm)	1" (25 mm)	1 1/2" (40 mm)	2 1/2" (63 mm)
GB-055	GB-175	GB-275	MB-3210	MB-4200	MB-5250	MB-6255
GB-0100	GB-1150	GB-2125	MB-3430	MB-4400	MB-5500	MB-6380
GB-0150	GB-1300	GB-2250	-	-	-	MB-6510



Figure in **Bold** indicate OAL

STUD TIGHTENER

Square Drive

Thread Size	3/8" (10 mm)	1/2" (12.5 mm)	3/4" (20 mm)	1" (25 mm)
M6X1.00	STM-106	STM-206	-	-
M7X1.00	STM-107	STM-207	-	-
M8X1.25	STM-108	STM-208	-	-
M8X1.00	STM-108/1.00	STM-208/1.00	-	-
M10X1.5	STM-110	STM-210	-	-
M10X1.25	STM-110/1.25	STM-210/1.25	-	-
M12X1.75	-	STM-212	-	-
M12X1.25	-	STM-212/1.25	-	-
M14X2.00	-	STM-214	-	-
M14X1.50	-	STM-214/1.50	-	-
M16X2.00	-	STM-216	-	-
M16X1.50	-	STM-216/1.50	-	-
M16X2	-	-	STM-316	-
M20X2.5	-	-	STM-320	-
M24X3.0	-	-	STM-324	STM-424
M27X3.0	-	-	-	STM-427
M30X3.5	-	-	-	STM-430
M33X3.5	-	-	-	STM-433
M36X4.0	-	-	-	STM-436



SAE/BSW/BSF sizes can be supplied against special order

SQUARE DRIVE ADAPTOR

Part No. Size	GIA-1	GIA-2	GIA-3	GIA-4	GIA-5	GIA-6
1/4" (6.3mm)	○	■	-	-	-	-
3/8" (10mm)	■	○	○	■	-	-
1/2" (12.5mm)	-	-	■	○	■	○
3/4" (20mm)	-	-	-	-	○	■
Part No. Size	MIA-9	MIA-10	MIA-11	MIA-12	MIA-16	MIA-17
3/4" (20 mm)	○	■	-	-	-	-
1" (25 mm)	■	○	○	■	-	-
1 1/2" (40 mm)	-	-	■	○	○	■
2 1/2" (40 mm)	-	-	-	-	■	○

○ Female Drive Size ■ Male Drive Size



SWIVEL SOCKET

Single Hex

SW Size(Metric)	3/8" Square Drive		1/2" Square Drive	
	Part No.	OAL	Part No.	OAL
7	MSIM-107	58	-	-
8	MSIM-108	58	-	-
10	MSIM-110	58	MSIM-210	70
11	MSIM-111	58	MSIM-211	70
12	MSIM-112	58	MSIM-212	70
13	MSIM-113	62	MSIM-213	70
14	MSIM-114	62	MSIM-214	74
15	MSIM-115	62	MSIM-215	74
16	MSIM-116	62	MSIM-216	80
17	MSIM-117*	62	MSIM-217	80
18	MSIM-118*	65	MSIM-218	80
19	MSIM-119*	65	MSIM-219	80
21	-	-	MSIM-221*	80
22	-	-	MSIM-222*	80
23	-	-	MSIM-223*	80
24	-	-	MSIM-224*	80



* With Reinforcement ring fitted.

Maximum Swivel angle 30°.

SAE sizes can also be supplied against order.

EXTENSION SOCKET

Single Hex

Sq.Drive Length (Metric)	3/8" Square Drive			1/2" Square Drive		
	100	150	200	100	150	200
	Part No.			Part No.		
7	GESM-107	GESM-107L	GESM-107X	-	-	-
8	GESM-108	GESM-108L	GESM-108X	-	-	-
10	GESM-110	GESM-110L	GESM-110X	GESM-210	GESM-210L	GESM-210X
11	GESM-111	GESM-111L	GESM-111X	GESM-211	GESM-211L	GESM-211X
12	GESM-112	GESM-112L	GESM-112X	GESM-212	GESM-212L	GESM-212X
13	GESM-113	GESM-113L	GESM-113X	GESM-213	GESM-213L	GESM-213X
14	GESM-114	GESM-114L	GESM-114X	GESM-214	GESM-214L	GESM-214X
16	GESM-116	GESM-116L	GESM-116X	GESM-216	GESM-216L	GESM-216X
17	GESM-117	GESM-117L	GESM-117X	GESM-217	GESM-217L	GESM-217X
18	-	-	-	GESM-218	GESM-218L	GESM-218X
19	-	-	-	GESM-219	GESM-219L	GESM-219X
21	-	-	-	GESM-221	GESM-221L	GESM-221X
22	-	-	-	GESM-222	GESM-222L	GESM-222X
23	-	-	-	GESM-223	GESM-223L	GESM-223X
24	-	-	-	GESM-224	GESM-224L	GESM-224X
27	-	-	-	GESM-227	GESM-227L	GESM-227X



SAE sizes can also be supplied against order.

SWIVEL EXTENSION SOCKET

Single Hex

Sq. Drive Length (Metric)	3/8" Square Drive			1/2" Square Drive		
	100	150	200	100	150	200
	Part No.			Part No.		
7	MSESM-107	MSESM-107L	MSESM-107X	-	-	-
8	MSESM-108	MSESM-108L	MSESM-108X	-	-	-
10	MSESM-110	MSESM-110L	MSESM-110X	MSESM-210	MSESM-210L	MSESM-210X
11	MSESM-111	MSESM-111L	MSESM-111X	MSESM-211	MSESM-211L	MSESM-211X
12	MSESM-112	MSESM-112L	MSESM-112X	MSESM-212	MSESM-212L	MSESM-212X
13	MSESM-113	MSESM-113L	MSESM-113X	MSESM-213	MSESM-213L	MSESM-213X
14	MSESM-114	MSESM-114L	MSESM-114X	MSESM-214	MSESM-214L	MSESM-214X
16	MSESM-116	MSESM-116L	MSESM-116X	MSESM-216	MSESM-216L	MSESM-216X
17	MSESM-117*	MSESM-117L*	MSESM-117X*	MSESM-217	MSESM-217L	MSESM-217X
18	-	-	-	MSESM-218	MSESM-218L	MSESM-218X
19	-	-	-	MSESM-219	MSESM-219L	MSESM-219X
21	-	-	-	MSESM-221*	MSESM-221L*	MSESM-221X*
22	-	-	-	MSESM-222*	MSESM-222L*	MSESM-222X*
23	-	-	-	MSESM-223*	MSESM-223L*	MSESM-223X*
24	-	-	-	MSESM-224*	MSESM-224L*	MSESM-224X*



* With Reinforcement ring fitted.
Maximum Swivel angle 30°.
SAE sizes can also be supplied against order.

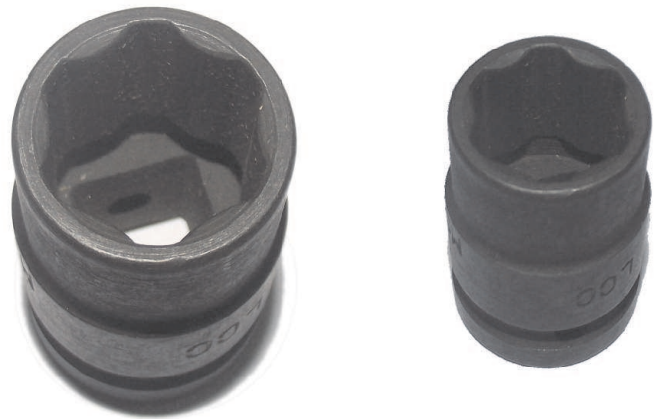
SOCKET SETS

Square Drive	Socket Set Part No.	Particulars
1/4	009-GIM-B	Set of 9 pieces covering size 6 to 14mm. Stored in Steel Box
1/4	008-GI-B	Set of 8 pieces covering size (inch) 1/4 to 9/16. Stored in Steel Box
3/8	113-GIM-B	Set of 13 pieces covering size 7 to 19mm. Stored in Steel Box
3/8	108-GI-B	Set of 8 pieces covering A/F size (inch) 5/16 to 3/4. Stored in Steel Box
1/2	211-GIM-B	Set of 11 Pieces Covering Sizes 10, 11, 13, 14, 17, 19, 22, 24, 27, 30 & 32mm. Stored in Steel Box.
1/2	215-GIM-B	Set of 15 Pieces Covering Sizes 11, 12, 13, 14, 15, 17, 18, 19, 21, 22, 23, 24, 27, 30 & 32mm. Stored in Steel Box.
1/2	215-GI-B	Set of 15 Pieces Covering Sizes (inch) 3/8 to 1.1/4. Stored in Steel Box.
1/2	222-GI-AMB	Set of 22 Pieces Covering Sizes (Metric) 10, 11, 13, 14, 17, 19, 22, 24, 27, 30 & 32 and (inch) 3/8, 7/16, 1/2, 9/16, 5/8, 11/16, 3/4, 7/8, 1, 1.1/8 & 1.1/4. Stored in Steel Box.
3/4	311-MIM-B	Set of 11 Pieces Covering Sizes (mm) 17, 19, 22, 24, 27, 30, 32, 36, 38, 41 & 46. Stored in Steel Box.
3/4	314-MIM-B	Set of 14 Pieces Covering Sizes (mm) 17, 19, 22, 24, 27, 30, 32, 36, 38, 41, 46, 50, 55 & 60mm. Stored in Steel Box.
3/4	316-MI-B	Set of 16 Pieces Covering Sizes (inch) 9/16, 5/8, 11/16, 3/4, 13/16, 7/8, 15/16, 1, 1.1/16, 1.1/8, 1.1/4, 1.5/16, 1.3/8, 1.7/16, 1.1/2 & 1.5/8. Stored in Steel Box.
1	411-MI-B	Set of 11 Pieces Covering Sizes (inch) 3/4, 7/8, 1, 1.1/8, 1.1/4, 1.3/8, 1.1/2, 1.5/8, 1.3/4, 1.7/8, 2. Stored in Steel Box.
1	416-MI-B	Set of 16 Pieces Covering Sizes (inch) 3/4, 7/8, 1, 1.1/8, 1.1/4, 1.3/8, 1.1/2, 1.5/8, 1.3/4, 1.7/8, 2.2.1/4, 2.3/8, 2.5/8, 2.3/8, 3. Stored in Steel Box.
1	419-MI	Set of 19 Pieces Covering Sizes (inch) 3/4, 13/16, 7/8, 15/16, 1, 1.1/16, 1.1/8, 1.1/4, 1.5/16, 1.3/8, 1.7/16, 1.1/2, 1.5/8, 1.11/16, 1.3/4, 1.13/16, 1.7/8, 1.15/16 & 2
1	430-MI	Set of 30 Pieces Covering Sizes (inch) 3/4, 13/16, 7/8, 15/16, 1, 1.1/16, 1.1/8, 1.1/4, 1.5/16, 1.3/8, 1.7/16, 1.1/2, 1.5/8, 1.11/16, 1.3/4, 1.13/16, 1.7/8, 1.15/16, 2, 2.1/16, 2.3/16, 2.1/4, 2.3/8, 2.7/16, 2.9/16, 2.5/8, 2.3/4, 2.13/16, 2.15/16 & 3.
1	437-MI-B	Set of 37 Pieces Covering Sizes (inch) 3/4, 13/16, 7/8, 15/16, 1, 1.1/16, 1.1/8, 1.1/4, 1.5/16, 1.3/8, 1.7/16, 1.1/2, 1.5/8, 1.11/16, 1.3/4, 1.13/16, 1.7/8, 1.15/16, 2, 2.1/16, 2.3/16, 2.1/4, 2.3/8, 2.7/16, 2.9/16, 2.5/8, 2.3/4, 2.13/16, 2.15/16, 3, 3.1/8, 3.3/8 & 3.1/2 with Extension Bars 200mm & 400mm Square drive Adaptors (1.1/2Fx1M & 1Fx1.1/2M). Stored in Steel Box.
1	418-MIM-B	Set of 18 Pieces Covering Sizes (mm) 19, 22, 24, 27, 30, 32, 36, 38, 41, 46, 50, 55, 60, 65, 70, 75, 80 and 85. Stored in Steel Box.
1.1/2	511-MIM	Set of 11 Pieces Covering Sizes (mm) 36 to 80mm.
1.1/2	519-MIM	Set of 19 Pieces Covering Sizes (mm) 36 to 120mm.
1.1/2	514-MI	Set of 14 Pieces Covering Sizes (inch) 1.3/8 to 2.7/16.
1.1/2	525-MI	Set of 25 Pieces Covering Sizes (inch) 1.3/8 to 3.7/8.
1.1/2	529-MI	Set of 25 Pieces Covering Sizes (inch) 1.3/8 to 4.5/8.
2.1/2	609-MIM	Set of 9 Pieces Covering Sizes (mm) 60 to 100mm.
2.1/2	614-MI	Set of 14 Pieces Covering Sizes (inch) 2.1/4 to 3.7/8. Stored in Steel Box.
2.1/2	619-MIM	Set of 19 Pieces Covering Sizes (mm) 60 to 160.
2.1/2	627-MI	Set of 27 Pieces Covering Sizes (inch) 2.1/4 to 6.1/4.

MEKASTER SURFACE DRIVE SOCKET

Surface Drive Sockets are designed for use single or multiple spindle power tools (Non-Impact Type). A specially relieved corner at the hex opening provides a floating action thus permitting the sockets to engage the nut on the surface of the flat hex rather than on the corners.

Size SW (mm)	Square Drive	
	½" (12.5)	¾" (20) mm
8	MSUM-208	-
9	MSUM-209	-
10	MSUM-210	-
11	MSUM-211	-
12	MSUM-212	-
13	MSUM-213	-
14	MSUM-214	-
15	MSUM-215	-
16	MSUM-216	-
17	MSUM-217	-
18	MSUM-218	MSUM-318
19	MSUM-219	MSUM-319
20	MSUM-220	MSUM-320
21	MSUM-221	MSUM-321
22	MSUM-222	MSUM-322
24	-	MSUM-324
27	-	MSUM-327
30	-	MSUM-330
32	-	MSUM-332
34	-	MSUM-334
36	-	MSUM-336
38	-	MSUM-338
41	-	MSUM-341
46	-	MSUM-346
50	-	MSUM-350
55	-	MSUM-355
60	-	MSUM-360



SAE Sizes can also be supplied.

Special Length Socket as per the customer requirement can also be supplied.

Surface Drive socket with special hardness for impact or manual application can also be supplied.



Double Open Ended Spanner

Chrome vanadium steel, Chrome plated Position of open ends 15 degree DIN 3110-899/NF ISO 1711-10102-691-3318

Part No	A/F Size (Metric)
MDOM-0607	6 X 7
MDOM-0809	8 X 9
MDOM-1011	10 X 11
MDOM-1213	12 X 13
MDOM-1415	14 X 15
MDOM-1617	16 X 17
MDOM-1819	18 X 19
MDOM-2022	20 X 22
MDOM-2123	21 X 23
MDOM-2426	24 X 26
MDOM-2427	24 X 27
MDOM-2528	25 X 28
MDOM-3032	30 X 32
MDOM-3034	30 X 34
MDOM-3236	32 X 36
MDOM-3641	36 X 41
MDOM-4146	41 X 46
MDOM-4650	46 X 50



Double Ended Deep offset Ring Spanner

Chrome Vanadium Steel, Chrome plated Wave Profile DIN 838-NF ISO 3318-10103-10104-691

Part No	A/F Size (Metric)
MDRM-0607	6 X 7
MDRM-0809	8 X 9
MDRM-1011	10 X 11
MDRM-1213	12 X 13
MDRM-1415	14 X 15
MDRM-1617	16 X 17
MDRM-1819	18 X 19
MDRM-2022	20 X 22
MDRM-2123	21 X 23
MDRM-2426	24 X 26
MDRM-2427	24 X 27
MDRM-2528	25 X 28
MDRM-3032	30 X 32
MDRM-3236	32 X 36
MDRM-3641	36 X 41
MDRM-4146	41 X 46
MDRM-4650	46 X 50
MDRM-5560	55 X 60



Single Ended Open Jaw Spanner

Special Steel Position of Open End 15° Phosphatized DIN 894-ISO 3318

Part No.	Size Metric (MM)
MOJM-241	24
MOJM-261	26
MOJM-271	27
MOJM-301	30
MOJM-321	32
MOJM-331	33
MOJM-341	34
MOJM-361	36
MOJM-381	38
MOJM-411	41
MOJM-421	42
MOJM-461	46
MOJM-501	50
MOJM-551	55
MOJM-601	60
MOJM-651	65
MOJM-701	70
MOJM-751	75
MOJM-801	80
MOJM-851	85
MOJM-901	90
MOJM-951	95
MOJM-1001	100
MOJM-1051	105
MOJM-1101	110
MOJM-1151	115
MOJM-1201	120



Open Jaw Slugging Wrench

Chrome-vanadium-steel, Phosphatized DIN 133

Part No.	Size Metric (MM)
MSOJM-241	24
MSOJM-271	27
MSOJM-301	30
MSOJM-321	32
MSOJM-331	33
MSOJM-341	34
MSOJM-361	36
MSOJM-411	41
MSOJM-421	42
MSOJM-461	46
MSOJM-501	50
MSOJM-551	55
MSOJM-601	60
MSOJM-651	65
MSOJM-701	70
MSOJM-751	75
MSOJM-801	80
MSOJM-851	85
MSOJM-901	90
MSOJM-951	95

SLUGGING WRENCH / INSERT SOCKET

Metric			American		
SW (mm)	Part No. Slugging Wrench	Part No. Insert Socket	SW (Inch.)	Part No. Slugging Wrench	Part No. Insert Socket
24	MSS-241	MIS-24	15/16"	SS-071	IS-07
27	MSS-271	MIS-27	1"	SS-081	IS-08
29	MSS-291	MIS-29	1.1/16"	SS-091	IS-09
30	MSS-301	MIS-30	1.1/8"	SS-101	IS-10
32	MSS-321	MIS-32	1.3/16"	SS-111	IS-11
33	MSS-331	MIS-33	1.1/4"	SS-121	IS-12
34	MSS-341	MIS-34	1.5/16"	SS-131	IS-13
36	MSS-361	MIS-36	1.3/8"	SS-141	IS-14
38	MSS-381	MIS-38	1.7/16"	SS-151	IS-15
41	MSS-411	MIS-41	1.1/2"	SS-161	IS-16
42	MSS-421	MIS-42	1.9/16"	SS-171	IS-17
46	MSS-461	MIS-46	1.5/8"	SS-181	IS-18
50	MSS-501	MIS-50	1.11/16"	SS-191	IS-19
54	MSS-541	MIS-54	1.3/4"	SS-201	IS-20
55	MSS-551	MIS-55	1.13/16"	SS-211	IS-21
57	MSS-571	MIS-57	1.7/8"	SS-221	IS-22
58	MSS-581	MIS-58	2"	SS-241	IS-24
60	MSS-601	MIS-60	2.1/16"	SS-251	IS-25
63	MSS-631	MIS-63	2.1/8"	SS-261	IS-26
65	MSS-651	MIS-65	2.3/16"	SS-271	IS-27
67	MSS-671	MIS-67	2.1/4"	SS-281	IS-28
70	MSS-701	MIS-70	2.5/16"	SS-291	IS-29
71	MSS-711	MIS-71	2.3/8"	SS-301	IS-30
75	MSS-751	MIS-75	2.7/16"	SS-311	IS-31
77	MSS-771	MIS-77	2.1/2"	SS-321	IS-32
80	MSS-801	MIS-80	2.9/16"	SS-331	IS-33
82	MSS-821	MIS-82	2.5/8"	SS-341	IS-34
85	MSS-851	MIS-85	2.11/16"	SS-351	IS-35
88	MSS-881	MIS-88	2.3/4"	SS-361	IS-36
90	MSS-901	MIS-90	2.13/16"	SS-371	IS-37
94	MSS-941	MIS-94	2.7/8"	SS-381	IS-38
95	MSS-951	MIS-95	2.15/16"	SS-391	IS-39
100	MSS-1001	MIS-100	3"	SS-401	IS-40
105	MSS-1051	MIS-105	3.1/8"	SS-411	IS-41
110	MSS-1101	MIS-110	3.1/4"	SS-421	IS-42
115	MSS-1151	MIS-115	3.3/8"	SS-431	IS-43
116	MSS-1161	MIS-116	3.1/2"	SS-441	IS-44
120	MSS-1201	MIS-120	3.5/8"	SS-451	IS-45
125	MSS-1251	MIS-125	3.3/4"	SS-461	IS-46
130	MSS-1301	MIS-130	3.7/8"	SS-471	IS-47
135	MSS-1351	MIS-135	4"	SS-481	IS-48
140	MSS-1401	MIS-140	4.1/8"	SS-491	IS-49
			4.1/4"	SS-501	IS-50
			4.3/8"	SS-511	IS-51
			4.1/2"	SS-521	IS-52
			4.5/8"	SS-531	IS-53
			4.3/4"	SS-541	IS-54
			4.7/8"	SS-551	IS-55
			5"	SS-561	IS-56
			5.1/8"	SS-571	IS-57
			5.1/4"	SS-581	IS-58
			5.3/8"	SS-591	IS-59
			5.1/2"	SS-601	IS-60

Caution- For used with impact Wrenches always wear approved eye protection Glasses.

Heavy Duty design in accordance with USA Federal standard GGG-W-636E



SHORTENDED RING SPANNERS

Metric		American	
SW (mm)	Part No.	SW	Part No.
24	MSS-241D	15/16	SS-071D
		1	SS-081D
27	MSS-271D	1.1/16	SS-091D
		1.1/8	SS-101D
30	MSS-301D	1.3/16	SS-111D
32	MSS-321D	1.1/4	SS-121D
33	MSS-331D		
34	MSS-341D	1.5/16	SS-131D
36	MSS-361D	1.3/8	SS-141D
38	MSS-381D	1.7/16	SS-151D
		1.1/2	SS-161D
41	MSS-411D	1.9/16	SS-171D
		1.5/8	SS-181D
		1.11/16	SS-191D
46	MSS-461D	1.3/4	SS-201D
		1.13/16	SS-211D
48	MSS-481D	1.7/8	SS-221D
50	MSS-501D	1.15/16	SS-231D
		2	SS-241D
		2.1/16	SS-251D
55	MSS-551D	2.1/8	SS-261D
		2.3/16	SS-271D
		2.1/4	SS-281D
60	MSS-601D	2.5/16	SS-291D
		2.3/8	SS-301D
		2.7/16	SS-311D
		2.1/2	SS-321D

Light Duty design in accordance with German Standard DIN 7444 & IS 4509



OFFSET TYPE

Metric				American			
SW (mm)	Slugging Wrench	Podger Spanner	H.D. Box Wrench	SW (Inch)	Slugging Wrench	Podger Spanner	H.D. Box Wrench
24	MSS-242		MHBM -242	15/16"	SS-072	-	MHB-072
27	MSS-272	MPSM-272	MHBM-272	1"	SS-082	-	MHB-082
30	MSS-302	MPSM-302	MHBM-302	1.1/16"	SS-092	MPS-092	MHB-092
32	MSS-322	MPSM-322	MHBM-322	1.1/8"	SS-102	MPS-102	MHB-102
34	MSS-342	MPSM-342	MHBM-342	1.3/16"	SS-112	MPS-112	MHB-112
36	MSS-362	MPSM-362	MHBM-362	1.1/4"	SS-122	MPS-122	MHB-122
38	MSS-382	MPSM-382	MHBM-382	1.5/16"	SS-132	MPS-132	MHB-132
41	MSS-412	MPSM-412	MHBM-412	1.3/8"	SS-142	MPS-142	MHB-142
46	MSS-462	-	-	1.7/16"	SS-152	MPS-152	MHB-152
50	MSS-502	-	-	1.1/2"	SS-162	MPS-162	MHB-162
55	MSS-552	-	-	1.9/16"	SS-172	MPS-172	MHB-172
60	MSS-602	-	-	1.5/8"	SS-182	MPS-182	MHB-182
				1.11/16"	SS-192	-	-
				1.3/4"	SS-202	-	-
				1.13/16"	SS-212	-	-
				1.7/8"	SS-222	-	-
				1.15/16"	SS-232	-	-
				2"	SS-242	-	-
				2.1/16"	SS-252	-	-
				2.1/8"	SS-262	-	-
				2.3/16"	SS-272	-	-
				2.1/4"	SS-282	-	-
				2.5/16"	SS-292	-	-
				2.3/8"	SS-302	-	-
				2.7/16"	SS-312	-	-

RATCHETING SPANNERS

Double Ended			
SW1x SW2 (mm)	Part No.	SW1x SW2 (Inch.)	Part No.
8 x 9	MRSM -0809	5/16" X 3/8"	MRS-01
10 x 12	MRSM -1012	7/16" X 1/2"	MRS-34
13 x 14	MRSM -1314	9/16" X 5/8"	MRS-57
16 x 18	MRSM -1618	11/16" X 3/4"	MRS-89
17 x 19	MRSM -1719	7/8" X 15/16"	MRS-1213
21 x 22	MRSM-2122		
22 x 24	MRSM-2224		

Single Ended			
(Metric)		(Inch)	
SW Size	Part No.	SW Size	Part No.
8	MRSM-08	5/16"	MRS-0
9	MRSM-09	3/8"	MRS-1
10	MRSM-10	7/16"	MRS-3
11	MRSM-11	1/2"	MRS-4
12	MRSM-12	9/16"	MRS-5
13	MRSM-13	5/8"	MRS-7
14	MRSM-14	11/16"	MRS-8
16	MRSM-16	3/4"	MRS-9
17	MRSM-17	13/16"	MRS-10
18	MRSM-18	7/8"	MRS-12
19	MRSM-19	15/16"	MRS-13
21	MRSM-21		
22	MRSM-22		
24	MRSM-24		

Heavy Duty Single Ended		Single Open Ended	
(Metric)		(Metric)	
SW Size	Part No.	SW Size	Part No.
13	MRSM -13H	10	MROM-10
14	MRSM-14H	12	MROM-12
17	MRSM-17H	13	MROM-13
19	MRSM-19H	14	MROM-14
22	MRSM-22H	16	MROM-16
24	MRSM-24H	17	MROM-17
27	MRSM-27H	18	MROM-18
30	MRSM-30H	19	MROM-19
32	MRSM-32H	21	MROM-21
36	MRSM-36H	22	MROM-22
38	MRSM-38H	24	MROM-24
41	MRSM-41H	27	MROM-27
46	MRSM-46H		
50	MRSM-50H		
55	MRSM-55H		
60	MRSM-60H		



HEAVY DUTY PIPE WRENCH

Nominal Size mm (Inch)	Part No.	
	SG Iron	Cast Aluminum
300 (12)	MHPW-300	MAPW-300
350 (14)	MHPW-350	MAPW-350
450 (18)	MHPW-450	MAPW-450
600 (24)	MHPW-600	MAPW-600
900 (36)	MHPW-900	MAPW-900
1200 (48)	MHPW-1200	MAPW-1200

Heavy Duty pipe wrenches designed to USA Federal Standard GGG-W-00651 and IS-4003 (Part II)-1986.

MECHANICAL TORQUE WRENCHES

Non-Ratcheting Type



Part No.	Torque Capacity						Square Drive Inch (mm)	Width (mm)	Height (mm)	Approx Length (mm)	Approx Weight (Kgs)
	Nm	-><-	Kgf.m	-><-	Lbf.ft	-><-					
MTW-10	3-14	0.5	30-140#	5	2-10	0.5	3/8"(10)	25	16	300	0.5
MTW-25	5-35	2	0.5-3.5	0.2	5-25	1	3/8"(10)	25	18	365	0.7
MTW-50	14-68	2	1.4-7	0.2	10-50	2	1/2"(12.5)	30	18	480	1
MTW-100	25-135	5	3-14	0.5	20-100	2	1/2"(12.5)	32	22	615	1.7
MTW-160	50-220	10	5-22	1	35-160	5	1/2"(12.5)	36	28	620	2.6
MTW-250	70-340	10	7-35	1	50-250	5	1/2"(12.5)	38	28	780	3.6
MTW-400	130-540	15	14-56	1	100-400	10	3/4"(20)	49	32	1030	6.6
MTW-500	135-675	15	14-70	2	100-500	10	3/4"(20)	49	32	1080	7.1
MTW-750	475-1015	20	49-105	2	350-750	20	3/4"(20)	57	42	1360	13.7
MTW-1000	540-1380	40	55-140	5	400-1000	20	1"(25)	65	42	1385	17
MTW-1400	1000-1900	50	105-196	5	750-1400	25	1"(25)	72	44	1550	21
MTW-2000	1350-2700	75	135-275	5	1000-2000	40	1"(25)	75	47	1695	24

Kgf. Cm Accuracy ±3% of setting

Ratcheting Type



Part No.	Torque Capacity						Square Drive Inch (mm)	Width (mm)	Height (mm)	Approx Length (mm)	Approx Weight (Kgs)
	Nm	-><-	Kgf.m	-><-	Lbf.ft	-><-					
MTW-10R	3-14	0.5	30-140#	5	2-10	0.5	3/8"(10)	34	18	310	0.6
MTW-25R	5-35	2	0.5-3.5	0.2	5-25	1	3/8"(10)	34	18	370	0.7
MTW-50R	14-68	2	1.4-7	0.2	10-50	2	1/2"(12.5)	45	22	490	1.1
MTW-100R	25-135	5	3-14	0.5	20-100	2	1/2"(12.5)	45	22	640	1.8
MTW-160R	50-220	10	5-22	1	35-160	5	1/2"(12.5)	50	29	640	2.8
MTW-250R	70-340	10	7-35	1	50-250	5	1/2"(12.5)	50	29	805	3.9
MTW-400R	130-540	15	14-56	1	100-400	10	3/4"(20)	73	32	1080	7.3
MTW-500R	135-675	15	14-70	2	100-500	10	3/4"(20)	73	32	10155	8.1
MTW-750R	475-1015	20	49-105	2	350-750	20	3/4"(20)	73	32	1380	14
MTW-1000R	540-1380	40	55-140	5	400-1000	20	1"(25)	98	42	1470	18
MTW-1400R	1000-1900	50	105-196	5	750-1400	25	1"(25)	98	46	1600	21.5
MTW-2000R	1350-2700	75	135-275	5	1000-2000	40	1"(25)	100	47	1750	27

Kgf. Cm Accuracy ±3% of setting

PRESET TORQUE WRENCH STANDARD MODEL



Standard		Ratcheting		Capacity (Range)			Sq. Drive
Model	Length	Model	Length	Lbf.ft	Kgf.m	Nm	In (mm)
MTW-10P	250	MTW-10RP	265	3-8	0.4-1.1	4-11	3/8"(10)
MTW-25P	315	MTW-25RP	325	8-20	1-2.8	10-28	3/8"(10)
MTW-50P	415	MTW-50RP	425	20-40	2.8-5.5	28-55	1/2"(12.5)
MTW-100P	530	MTW-100RP	555	40-80	5.5-11	55-110	1/2"(12.5)
MTW-160P	540	MTW-160RP	560	80-120	11-19.3	110-193	1/2"(12.5)
MTW-250P	705	MTW-250RP	730	140-220	19.3-30.5	193-305	1/2"(12.5)
MTW-400P	950	MTW-400RP	990	200-350	28-48	208-480	3/4"(20.0)
MTW-600P	1050	MTW-600RP	1090	300-500	41.5-69	415-690	3/4"(20.0)
MTW-750P	1270	MTW-750RP	1300	450-700	62-97	620-970	3/4"(20.0)

LIGHT WEIGHT MECHANICAL TORQUE WRENCH



Models	Range			Sq. Drive	Length	Weight	Weight with case
	Nm	Lbf.ft	Lbf.in	Inch(mm)			
MLT-1020	4.5-30	-	50-250	3/8"(10)	311	0.7	0.9
MLT-1090	25-125	20-90	-	3/8"(10)	422	0.9	1.3
MLT-2150	40-200	30-150	-	1/2"(12.5)	460	1.03	1.4
MLT-2250	65-335	50-250	-	1/2"(12.5)	519	1.15	1.5
MLT-3350	100-500	70-350	-	3/4"(20)	813	3.23	3.43
MLT-3800	200-1000	150-800	-	3/4"	1040	5.16	5.46

Accuracy as per ISO 6789-2003 & ASME B107.14M
 45 tooth ratchet head for easier clockwise and counterclockwise operation in tight spaces
 Hardened Alloy Steel housing for strength and durability
 Display Metric and Imperial

PRESET TORQUE WRENCHES LIGHT WEIGHT



Models		Operating Range			Sq. Drive	Length	Weight
Fixed Ratchet	Detachable Ratchet Head	Nm	Lbf.ft	Lbf.in	mm (in)		
MLT-1020P	x	4.5-30	-	50-250	10(3/8")	311 mm	0.7 kg
MLT-1090P	MLT-1090PH	20-125	20-90	-	10(3/8")	422 mm	0.9 kg
MLT-2150P	MLT-2150PH	40-200	30-150	-	12.5(1/2")	460 mm	1.0 kg
MLT-2250P	MLT-2250PH	65-335	50-250	-	12.5(1/2")	519 mm	1.15 kg
MLT-3350P		100-500	70-350	-	20(3/4")	813 mm	3.23 kg
MLT-3800P		200-1000	150-800	-	20(3/4")	1015 mm	4.23 kg

MICROMETER TORQUE WRENCHES



Part No.	Square Drive Inch (mm)	Primary Scale		Secondary Scale *	Length (mm) Approx.	Weight without Box (Kgs) Approx.
		Capacity	Least Count			
MMT-1020N	3/8" (10)	4-20 Nm	0.1 Nm	30-200 Lbf.in	325	0.6
MMT-1100N	3/8" (10)	20-100 Nm	0.5 Nm	10-80 Lbf.ft	438	1.3
MMT-2200N	1/2" (12.5)	40-200 Nm	1 Nm	20-150 Lbf.ft	512	1.6
MMGT-2250I	1/2" (12.5)	30-250 Lbf.ft	1 Lbf.ft	47-332 Nm	525	1.3
MMT-2340N	1/2" (12.5)	60-340 Nm	2 Nm	30-250 Lbf.ft	614	1.8
MMT-3800N	3/4" (20)	150-800 Nm	5 Nm	100-600 Lbf.ft	1237	5.7
MMT-41000N	1" (25)	200-1000 Nm	5 Nm	150-600 Lbf.ft	1240	5.8
MMT-41500N	1" (25)	300-1500 Nm	10 Nm	200-1000 Lbf.ft	1856**	10.5**
MMT-42000N	1" (25)	400-2000 Nm	10 Nm	300-1500 Lbf.ft	2200**	15.2**
MMT-43000N	1" (25)	600-3000 Nm	15 Nm	400-2000 Lbf.ft	2780**	19.5**

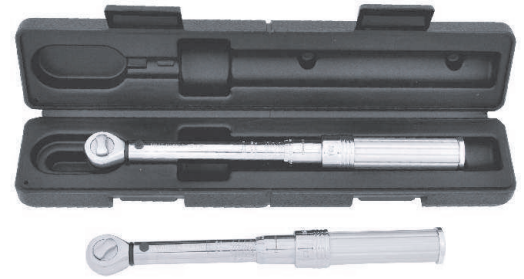
* For approx settings only.

** With Extension Handle.

MICROMETER MINI TORQUE WRENCHES

Features :

- Small length design, easy to carry and operate.
- 45-tooth reversible ratchet head results in both clockwise and counter clockwise.
- +/-4% accuracy in clockwise direction exceeds international specifications.
- Complies with U.S. standard ASME B107.14M and international standard ISO 6789.
- Unique, stay in place, Lock ring makes adjustments easier and secures selected torque from accidental change.
- Dual metric and English scales are easy to read and set.
- Individually serialized with matching certificate of calibration traceable to national standards/international
- Non slip handles with groove design.
- Ratchet repair kit available.
- Shining finish.
- In plastic moulded case.



Part No.	Torque Capacity*		Square Drive	Approx Length mm	Width mm	Approx Weight (without case) Gms
	Nm	Lbf.in				
MMT-05N	1-5	10-45	1/4" (6.3mm)	240	28	350
MMT-015N	3-15	30-140	1/4" (6.3mm)	266	28	350

PRESET TORQUE WRENCH WITH SOFT PLASTIC HANDLE

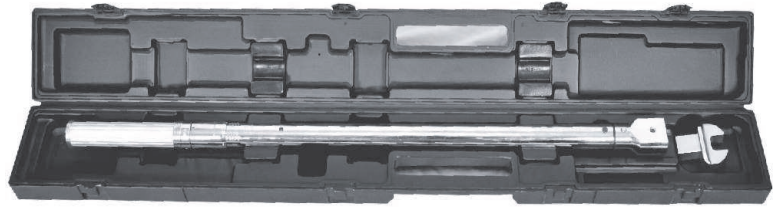
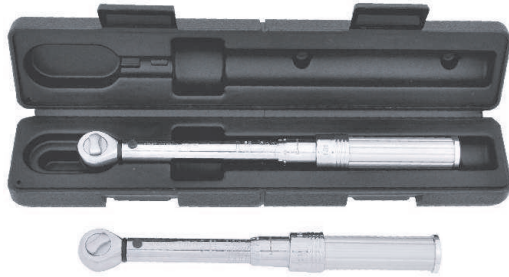
Features :

- Preset torque wrench, set torque by user themselves with the help to Torque Tester.
- 45-tooth reversible ratchet head results in both clockwise and counter clockwise.
- +/-4% accuracy in clockwise direction exceeds international specifications.
- Complies with U.S. standard ASME B107.14M and International standard ISO 6789.
- Individually serialized with matching certificate of calibration traceable to national standards/international.
- Shining finish.
- Packed in plastic moulded case.



Part No.	Torque Capacity*		Square Drive	Length mm (Approx.)	Width	Approx Weight (without case) mm Kg
	Nm	Lbf.ft				
MLT-1090P/A	50-125	40-90	3/8" (10mm)	400	38	0.84
MLT-2090P/A	50-125	40-90	1/2" (12.5mm)	400	38	0.84
MLT-2150P/A	80-200	60-150	1/2" (12.5mm)	445	40	0.96
MLT-2250P/A	120-335	90-250	1/2" (12.5mm)	510	40	1.1
MLT-3750P/A	400-1000	300-750	3/4" (20mm)	1030	60	4.9
MLT-41100P/A	600-1500	400-1100	1" (25mm)	1250	72	8.2

MICROMETER ADJUSTABLE OPEN END TORQUE WRENCH



Features :

- All steel construction
- +/-4% accuracy in clockwise direction exceeds international specifications.
- Complies with U.S. Standard ASME B107.14M and International standard ISO 6789.
- Unique, stay-in-place, Lock Ring makes adjustments easier and secures selected torque from accidental change.
- Dual Metric and English scales are easy to read and set.
- Individually serialized with matching certificate of calibration traceable to national standards/international.
- Non slip handles with groove design.
- Ratchet repair kit available.
- Packed in Plastic Moulded case.



Part No.	Torque Capacity*		Head Holder (Shake Size)	Approx Length mm	Width mm	Approx Weight (without case) Gms
	Nm	Lbf.ft				
MMT-930PH	6-30	50-250*	9 X 12	300	38	0.72
MMT-960PH	10-60	9-45	9 X 12	350	38	0.86
MMT-9125PH	25-125	20-90	9 X 12	410	38	0.94
MMT-14200PH	40-200	30-150	14 X 18	460	38	1.06
MMT-14335PH	65-335	50-250	14 X 18	520	38	1.2
MMT-241000PH	200-1000	150-750	24 X 32	1055	56	5.9

* Lbf. In

MICROMETER ADJUSTABLE TORQUE SCREWDRIVER

Features :

- Supply consistent torque output for specially designed torque mechanism
- Lock ring is used to prevent accidental changes of setting torque value.
- When set torque is reached and won't destroy the fasteners if keep applying torque.
- Individually serialized with matching certificate of calibration traceable to national standards/international.
- Accordance with US standard, accuracy : ±6%.
- The aluminium handle is treated by anodizing finish, comfortable and nice appearance.
- Packed in Plastic Moulded Case.

Specification :

Part No.	Torque Capacity*		Square Drive	Length mm	Width mm	Weight (without case) Kg
	CNm (Nm)					
MTD-050CN	10-50 (0.1-0.5)		1/4" (6.3mm)	170	30	320
MTD-0100CN	20-100 (0.2-1)		1/4" (6.3mm)	170	30	320
MTD-0250CN	50-250 (0.5-2.5)		1/4" (6.3mm)	175	30	320
MTD-0360CN	60-360 (0.6-3.6)		1/4" (6.3mm)	170	30	320



ELECTRONIC TORQUE WRENCHES



Model		Torque Range			Square Drive inch (mm)	Length (mm)	Weight (Kg)
Standard	Programmable	Nm	Lbf.in	Lbf.ft			
E3010	P3010	1-10	8.8-88	.73-7.3	1/4(6.3)	410	0.85
E3020	P3020	2-20	17-177	1.4-14	1/4(6.3)	410	0.85
E3135	P3135	13.5-135		9.9-99	3/8(10)	410	0.85
E3250	P3250	25-250		18.4-184	1/2(12.5)	625	1.3
E3340	P3340	34-340		25-250	1/2(12.5)	625	1.3

Accuracy : better than 1% of the Reading LHS & RHS from 10% to 100% of specified range.

Robust Bi-Directional Ratchet Head

Wrench can be configured to have any range from 10-100%.

Long Wrench up to capacity 1000 Nm also available.



ELECTRONIC TORQUE SCREW DRIVERS



Type	Model		Torque Range				Handle Length mm	Weight Kg
	Standard	Programmable	Square Drive Inch	Nm	Lbf.in	Lbf.ft		
Micro	E1050	P1050	1/4	0.05-0.5	0.44-4.4		170	.72
	E1150	P1150	1/4	0.15-1.5	1.33-13.3		170	.72
	E1200	P1200	1/4	0.2-2	1.77-17.7	0.14-1.4	170	.72
Pistol Grip	E1350	P1350	1/4	0.35-3.5	3.1-31	0.25-2.5	170	.72
	E2005	P2005	1/4	0.5-5	4.42-44.2	0.36-3.6	200	.77
	E2010	P2010	1/4	1-10	8.8-88	0.74-7.4	200	.77
	E2015	P2015	1/4	1.5-15	13.2-132	1.1-11	200	.77
	E2017	P2017	1/4	1.7-17	15-150	1.2-12	200	.77

Accuracy : better than 1% of the Reading LHS & RHS from 10% TO 100% of specified range.

Large Color Organic LED Screen High Visibility Warning Signals

ELECTRONIC TORQUE TESTERS



Models	Drive (Female)	CNm	Nm	Lbf.in	Lbf.ft	Length (mm)	Weight (kgs.)
E4001	1/4"	5-50	0.05-0.5	0.44-4.4	-	72	.64
E4002	1/4"	20-200	0.2-2	1.7-17	-	72	.64
E4010	1/4"	-	1-10	8.8-88	-	72	.64
E4100	3/8"	-	10-100	-	7.3-73	90	1.2
E4200	1/2"	-	20-200	-	14.7-147	105	1.2
E4350	1/2"	-	34-340	-	25-250	105	1.2
E4500	3/4"	-	50-500	-	37-370	105	1.4
E41000	3/4" OR 1"	-	100-1000	-	73-737	115	1.64

Accuracy : better than .5% of the Reading LHS & RHS from 10% TO 100% of specified range.
 Large Color Organic LED Screen High Visibility Warning Signals.
 Testers can be configured to have any range from 10-100%.

TORQUE MULTIPLIERS

Standard Design



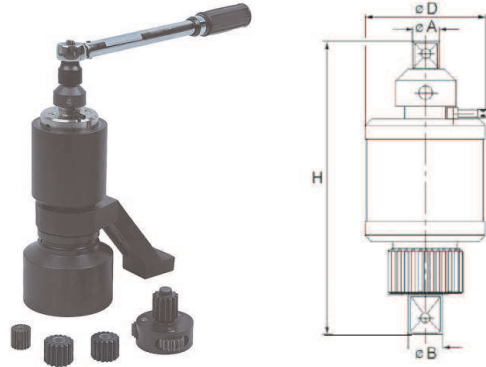
Models	MAX. Torque Output			Mechanical Ratio	Sq. Drive Female Input	Sq. Drive Male Output
	Lbf.ft	Kgf.m	Nm		Inch(mm)	Inch(mm)
MT-600*	600	83	815	4:1	1/2" (12.5)	3/4"(20)
MT-1250/1:5*	1250	172	1690	5:1	1/2" (12.5)	3/4"(20)
MT-1250/1:5S#	1250	172	1690	5:1	1/2" (12.5)	3/4"(20)
MT-1250/1:6**	1250	172	1690	6:1	1/2" (12.5)	3/4"(20)
MT-2000#	2000	275	2700	5:1	3/4"(20)	1"(25)
MT-2500/25#	2500	345	3385	25:1	1/2"(12.5)	1"(25)
MT-3000/25#	3000	415	4070	25:1	1/2"(12.5)	1½"(40)
MT-4500/25#	4500	622	6100	25:1	1/2"(12.5)	1½"(40)
MT-6000/25#	6000	830	8140	25:1	1/2"(12.5)	1½"(40)
MT-10000/25#	10000	1380	13540	25:1	3/4"(20)	2.1/2(63)

* With Reaction Bar

** With Angle Turn Indicator

With Reaction Plate

TORQUE MULTIPLIERS

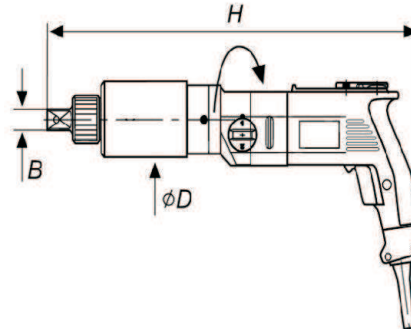


Light Weight Design

MODELS	KS1N	KS2kN	KS2N	KS3N	KS4N	KS95	KS5N
Gear Reduction	01:04	01:16	01:16	01:18	01:22	01:28	01:40
Min. Torque* ($\pm 5\%$) Nm	240	570	540	670	760	1085	1260
Max. Torque* ($\pm 5\%$) Nm	1500	3000	4000	6000	8000	10000	13000
Square Drive input A	3/4"(M)	1/2"(F)	3/4"(M)	3/4"(M)	3/4"(M)	3/4"(M)	3/4"(M)
Square Drive Output B	1"(M)	1"(M)	1"(M)	1.1/2"(M)	1.1/2"(M)	1.1/2"(M)	1.1/2"(M)
Diameter (mm) D	88	88	88	102	128	138	174
Height incl. Square Drive (mm) H	190	198	235	245	275	290	310
Weight incl. Standard support (App)Kg	4.4	5.6	6.8	8.5	12	14	22

Max Torque Capacity, when selecting the torque multiplier, please allow for a reserve of approx 25% and if necessary, be aware of increased loosening torque.

ELECTRIC TORQUE WRENCHES



Straight Design

Models	LDE-05	LDE-075	LDE-12	LDE-16	LDE-28	LDE-40	LDE-60	LDE-70	LDE-90	LDE-120
Min. Torque* ($\pm 5\%$) Nm	90	100	250	300	500	750	700	900	1100	1800
Max. Torque* ($\pm 5\%$) Nm	500	750	1200	1600	2800	4000	6000	7500	9000	13000
Square drive B	3/4"	3/4"	1"	1"	1"	1.1/2"	1.1/2"	1.1/2"	1.1/2"	1 1/2"
Max Diameter D	80	80	88	88	88	88	102	128	142	175
Height Incl. Square drive H	385	440	465	465	490	495	500	520	520	540
Weight incl. Support Arm** kg	5.6	6.2	8.3	8.4	9.2	10.9	11.9	19.5	19.9	29.4

Features :

- Precise tightening or easy loosening from 100 up to 13000 NM.
- A safe absorbing of reaction forces and the ergonomic pistol grip provide a positive handling.
- The operator can fully concentrate upon tightening or loosening tasks.
- Longer life of the power gear, due to completely new bearings.

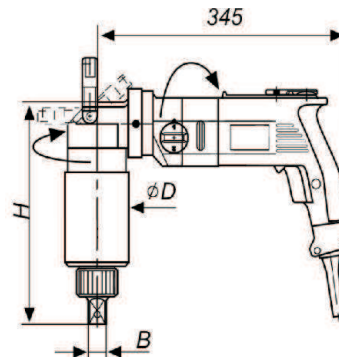
* Minimum torque in second gear & maximum torque in first gear.

** Light weight reaction support arm also available.

Torque Accuracy $\pm 5\%$ at constant temperature and mains voltage of 220V.

Note : Design subject to revision due to constant improvement

ELECTRIC TORQUE WRENCHES



Angled Design

Models		LEW-05	LEW-075	LEW-12	LEW-16	LEW-28	LEW-40	LEW-60	LEW-70	LEW-95	LEW-120
Min. Torque*(±5%)	Nm	90	100	250	300	500	750	700	900	1100	1800
Max. Torque*(±5%)	Nm	500	750	1200	1600	2800	4000	6000	7500	9500	13000
Square drive	B	3/4"	3/4"	1"	1"	1"	1.1/2"	1.1/2"	1.1/2"	1.1/2"	1 1/2"
Max Diameter	D	80	80	88	88	88	88	102	128	142	175
Height Incl.											
Square drive	H	180	220	240	240	270	280	290	310	320	330
Weight incl.											
Support Arm**	kg	6.9	7.5	9.6	9.7	10.6	12.3	13.2	20.2	20.5	30.5

Features :

- Uniquely adjustable in all directions.
- Cracks the most difficult tightening and loosening problems from 100 up to 13000 Nm in confined spaces.

HIGH TORQUE ELECTRIC WRENCH



Features :

- For use in very hard conditions and under extreme torque requirements such as crane assembly, structural engineering etc.

Models		LDE-09 ST	LDE-16 ST	LDE-28 ST	LEW-09 ST	LEW-16 ST	LEW-28 ST	LEW-60 L	LEW-95 L
Min. Torque*(±5%)	Nm	120	300	450	120	300	450	1200	2000
Max. Torque*(±5%)	Nm	900	2200	3200	900	2200	3200	6800	9500
Square drive	B	3/4"	1"	1"	3/4"	1"	1"	1.1/2"	1.1/2"
Max Diameter	D	80	88	88	80	88	88	102	138
Height Incl.									
Square drive	H	440	470	490	220	250	270	290	320
Weight incl.									
Support Arm**	kg	6.1	8.5	9.2	7.4	9.8	10.5	12.8	20.6

* Minimum torque in second gear & maximum torque in first gear.

** Light weight reaction support arm also available.

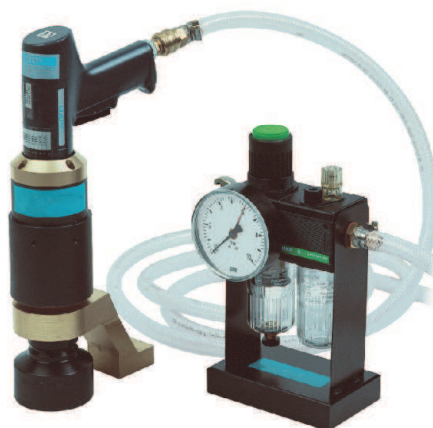
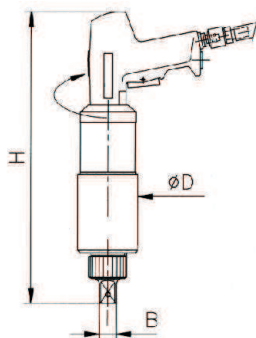
Torque Accuracy +/-5% at constant temperature and mains voltage of 220V.

Note : Design subject to revision due to constant improvement

Features :

- Torque precision and precise loosening from 100 up to 13000nm.
- Pneumatic torque control together with a robust, powerful pneumatic motor provide precise, economic work from only 2 bar operating pressure.
- Light weight. □ Highly reliable. □ Powerful Pneumatic motor.

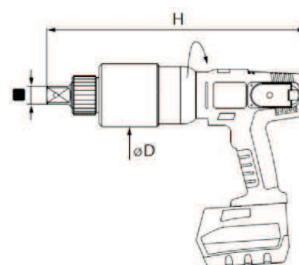
PNEUMATIC TORQUE WRENCH



Models	LPK-05	LPK-09	LPK-16	LPK-22	LPK-32	LPK-40	LPK-60	LPK-70	LPK-95	LPK-120
Min.Torque Value @2 Bar(Nm)(+/-5%)	80	200	300	500	800	850	1200	1500	2000	2500
Max.Torque Value @7 Bar(Nm)(+/-5%)	320	750	1100	1700	3000	3800	4400	5500	7000	9000
Peak.Torque Value @9 Bar(Nm)(+/-5%)	450	900	1600	2200	3200	4200	6000	7000	9500	12800
Idle rotational speed 1/min	55	24	15	7	4	4	4	3	2.5	1.50
Square Drive B	3/4"	3/4"	1"	1"	1"	1.1/2"	1.1/2"	1.1/2"	1.1/2"	1.1/2"
Max Diameter (mm) D	80	80	88	88	88	88	102	128	138	174
Height incl. square drive (mm) H	270	320	335	345	375	385	395	405	410	425
Weight incl. support(App)kg	4.5	3.8	7	7.5	8	8.5	9.3	13	15	23

Torque Accuracy +/- 5% at Stable Air pressure and Flow.
Complete set with FLR and 4 meter long hose.

BATTERY OPERATED (CORDLESS) TORQUE WRENCH



Type	LDA-05	LDA-07	LDA-09ST	LDA-12	LDA-16	LDA-16ST	LDA-28ST	LDA-40
Min.Torque Value (±5%)*	90	120	130	150	200	250	350	430
Max.Torque Value (±5%)**	500	700	900	1200	1500	2100	3100	4000
Square Drive	3/4"	3/4"	3/4"	1"	1"	1"	1"	1"
Max Diameter D	80	80	80	88	88	88	88	88
Height incl. square drive H	308	342	342	367	367	375	398	409
Approx Weight incl. Support Arm (kgs)	4.3	4.9	5.0	6.1	6.2	6.3	7.0	7.8

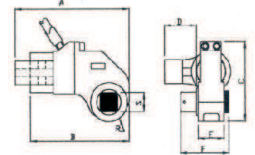
* Lowest Torque in 2nd gear, ** maximum torque in 1st gear
Complete set includes two Lithium-Ion batteries, special battery charger & cranked steel support

Note : Design subject to revision due to constant improvement

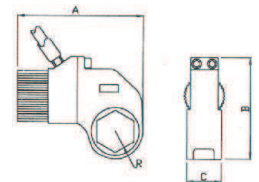
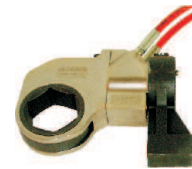
HYDRAULIC TORQUE WRENCH

SQUARE DRIVE WRENCH

Model	MHW-2RSD	MHW-4RSD	MHW-8RSD	MHW-14RSD	MHW-20RSD	MHW-30RSD
TORQUE OUTPUT Nm (Lbf.ft)						
Max.@700 Bar	1750(1300)	4100(3000)	10300(7600)	14000(10350)	25000(18500)	35000(25900)
Min.	150(110)	350(250)	800(600)	1200(900)	2000(1500)	2500(1800)
Dimensions mm (in)						
S	20(3/4)	25(1)	40(1.1/2)	40(1.1/2)	63.5(2.1/2)	63.5(2.1/2)
A	188(7.40)	260(10.24)	286(11.25)	316(12.44)	365(14.37)	451(17.75)
B	160(6.30)	195(7.68)	240(9.44)	285(11.22)	332(13.07)	339(13.34)
C	115(4.53)	143(5.63)	171(6.73)	201(7.91)	223(8.77)	263(10.35)
D	55(2.17)	62(2.44)	86(3.38)	100(3.94)	121(4.76)	110(4.33)
E	32(1.26)	40(1.57)	63(2.48)	64(2.51)	74(2.91)	89(3.50)
F	65(2.56)	84(3.14)	116(4.57)	125(4.92)	155(6.10)	169(6.65)
R	24(0.94)	33(1.30)	40(1.57)	48(1.89)	55(2.16)	63.5(2.5)
Approx Weight Kg (lbs)						
Tools	3.32(7.31)	5.53(12.18)	11.06(24.36)	14.79(32.53)	17.2(37.90)	27.45(60.39)
Reaction ARM	0.60(1.32)	1.2(2.64)	3.3(7.26)	3.5(7.7)	4.0(8.80)	5.4(11.88)



Refer separate catalogue for MEKASTER Heavy Duty Sockets & Accessories.
Accuracy +/-3%



RATCHETING WRENCH

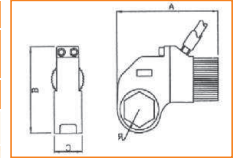
A/f Range		Max Torque @ 700 bar (10,000 psi)	Power Tools Model	A	B	C	R	Weight (Approx)
mm	In.							
24-60	15/16-2.3/8	1750(1300)	MHW-2R	152(5.98)- 169(6.65)	112(4.41)- 131(5.16)	32(1.26)	24(0.94)- 43.4(1.70)	3.15(6.95)- 3.45(7.60)
36-65	1.7/16-2.9/16	4100(3000)	MHW-4R	193(7.59)- 10(8.26)	140(5.50)- 157(6.18)	35(1.38)	30(1.18)- 49.8(1.96)	4.80(10.60)- 5.45(12.00)
46-75	1.13/16-2.15/16	6600(4960)	MHW-6R	230(9.06)- 236(9.26)	155(6.10)- 175(6.89)	45(1.77)	41.8(1.64)- 57.3(2.11)	6.50(13.90)- 7.00(15.20)
55-85	2.3/16-3.1/2	10300(7600)	MHW-8R	240(9.45)- 257(10.12)	174(6.85)- 192(7.56)	57(2.24)	43.9(1.72)- 59.(2.32)	9.65(21.25)- 10.45(22.95)
75-115	2.15/16-4.5/8	14000(10350)	MHW-14R	288(11.34)- 313(12.32)	212(8.35)- 236(9.29)	65(2.52)	58.8(2.35)- 83.2(3.27)	13.20(29.00)- 14.60(32.15)
90-120	3.1/2-5	25000(18500)	MHW-20R	337(13.26)- 360(14.17)	270(10.62)- 293(11.53)	70(2.75)	71(2.79)- 93.3(3.68)	14.10(31.08)- 24.60(54.23)
95-120	3.7/8-5	35000(25900)	MHW-30R	360(14.18)- 375(14.77)	273(10.76)- 375(11.54)	76(2.99)	74.8(2.95)- 93.3(3.68)	23.95(52.80)- 25.70(56.60)

Note :
Ratcheting hex wrench comprises power tool along with hex wrench head (detailed listed on following page).
Reaction arm is not required with ratcheting HEX wrenches as power tool housing has provisions to take up reaction from adjacent nut.
Please suffix Z for 360 swivel coupling in place of tail hose.
Male HEX key are available in lieu of square drive.
For MHW-4,8&14RSD Single body light weight design also available on demand.

Note : Design subject to revision due to constant improvement

Hydraulic Torque Wrench

Size (Metric)	Part No (Excluding Power Head)	Size (American SAE) Power Head)	Part No. (Excluding Power Head)	Dimensions approx (mm) with Power Head			
				Length	Height	Width	Max. Nose Radius
				A	B	C	R
MHW-2R(Power Tool)							
24	MHW-2H24M	15/16"	MHW-2H7	153.7	114.5	32	24.3
27	MHW-2H27M	1-1/16"	MHW-2H9	153.7	114.5	32	24.3
30	MHW-2H30M	1-1/4"	MHW-2H12	155.4	116.3	32	26.4
32	MHW-2H32M			155.4	119.3	32	26.4
36	MHW-2H36M	1-7/16"	MHW-2 H15	158.5	119.3	32	29.4
41	MHW-2H41M	1-5/8"	MHW-2H18	162.8	123.6	32	33.3
46	MHW-2H46M	1-13/16"	MHW-2H21	164.8	125.7	32	35.8
50	MHW-2H50M	2"	MHW-2H24	167.1	128	32	37.38
55	MHW-2H55M	2-3/16"	MHW-2H27	169.7	130.5	32	40.3
60	MHW-2H60M	2-3/8"	MHW-2H30	172.5	133.3	32	43.4
MHW-4R(Power Tool)							
36	MHW-4H36M	1-7/16"	MHW-4H15	193.5	139.7	35	30.3
41	MHW-4H41M	1-5/8"	MHW-4H18	197.4	143.3	35	33.8
46	MHW-4H46M	1-13/16"	MHW-4H21	199.9	147.1	35	37.6
50	MHW-4H50M	2"	MHW-4H24	204.2	150.7	35	40.9
55	MHW-4H55M	2-3/16"	MHW-4H27	207.3	154.7	35	45
60	MHW-4H60M	2-3/8"	MHW-4H30	209.6	156.5	35	47
65	MHW-4H65M	2-9/16"	MHW-4H33	212.3	159.3	35	49.8
MHW-6R(Power Tool)							
46	MHW-6H46M	1-13/16"	MHW-6H21	230.6	166	45	41.8
50	MHW-6H50M	2"	MHW-6H24	230.6	166	45	41.8
55	MHW-6H55M	2-3/16"	MHW-6H27	233.2	168.5	45	43.8
60	MHW-6H60M	2-3/8"	MHW-6H30	237.2	172.6	45	47.9
65	MHW-6H65M	2-9/16"	MHW-6H33	240.8	176.2	45	51.3
70	MHW-6H70M	2-3/4"	MHW-6H36	244.6	180	45	55.3
75	MHW-6H75M	2-15/16"	MHW-6H39	246.6	182	45	57.3
MHW-8R(Power Tool)							
55	MHW-8H55M	2-3/16"	MHW-8H27	238	174.2	57	43.9
60	MHW-8H60M	2-3/8"	MHW-8H30	242.1	178.3	57	48
65	MHW-8H65M	2-9/16"	MHW-8H33	245.6	181.6	57	53.8
70	MHW-8H70M	2-3/4"	MHW-8H36	249.4	185.4	57	55.4
75	MHW-8H75M	2-15/16"	MHW-8H39	251.5	187.4	57	57.4
80	MHW-8H80M	3-1.8"	MHW-8H41	252	188.2	57	57.9
85	MHW-8H85M	3-1.2"	MHW-8H44	253	189	57	59
MHW-14R(Power Tool)							
75	MHW-14H75M	2-15/16"	MHW-14H39	287.3	212.4	64	58.8
80	MHW-14H80M	3-1/8"	MHW-14H41	290.6	215.7	64	62.3
85	MHW-14H85M	3-3/8"	MHW-14H43	290.6	215.7	64	66.6
90	MHW-14H90M	3-1.2"	MHW-14H44	297.4	220.1	64	66.6
95	MHW-14H95M	3-3/4"	MHW-14H46	302	227.2	64	73.8
		3-7/8"	MHW-14H47	302	227.2	64	73.8
100	MHW-14H100M			304.8	230	64	76.3
105	MHW-14H105M	4-1/4"	MHW-14H50	304.8	230	64	76.3
110	MHW-14H110M			311.7	236.8	64	83.2
115	MHW-14H115M	4-5/8"	MHW-14H53	311.7	236.8	64	83.2
MHW-20R(Power Tool)							
90	MHW-20H90M	3-1.2"	MHW-20H44	337	270	70	70.1
95	MHW-20H95M	3-3/4"	MHW-20H46	340	273	70	74.9
		3-7/8"	MHW-20H47	340	273	70	74.9
100	MHW-20H100M			350	283	70	84.0
105	MHW-20H105M	4-1/4"	MHW-20H50	350	283	70	84.0
110	MHW-20H110M			354	287	70	87.7
115	MHW-20H115M	4-5/8"	MHW-20H53	354	287	70	87.7
120	MHW-20H120M	5"	MHW-20H56	360	293	70	93.3
MHW-30R(Power Tool)							
95	MHW-30H95M	3-7/8"	MHW-30H47	362.2	274.2	76	74.8
105	MHW-30H105M	4-1/4"	MHW-30H50	365	283.6	76	85.2
115	MHW-30H115M	4-5/8"	MHW-30H53	368.6	287.1	76	87.7
120	MHW-30H120M	5"	MHW-30H56	374.1	292.7	76	93.3



Note :

(A) Complete Tool is identified e.g MHW-4R (Power Head) MHW-4H46(46MM Hex Wrench) as MHW4RH46M or MHW-6R with MHW-8H30 (2.3/8" Hex Wrench) as MHW-8RH30.

(B) Intermediate & special hex sizes available against specific requirement. (C) Hex inserts available for application where clearance is not restricted.

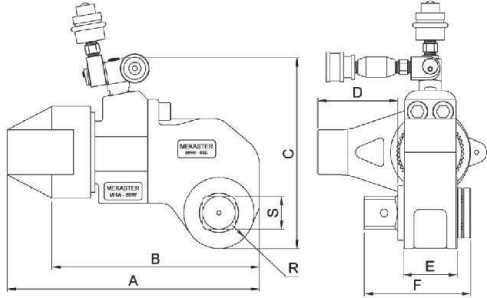
(D) Higher A/F size nut can be tightened by smaller tool provided torque required is within the range of tool.

(E)SAE sizes indicated are for heavy hex. If required regular hex or special sizes can be supplied.

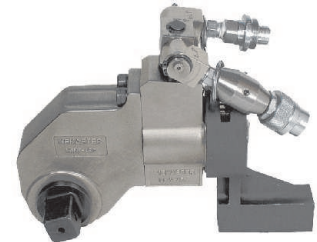
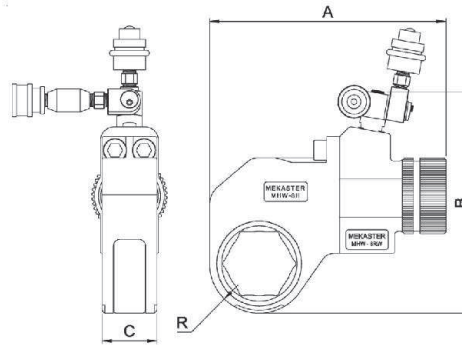
Note : Design subject to revision due to constant improvement

SWIVEL DESIGN HYDRAULIC TORQUE WRENCH

SQUARE DRIVE WRENCH



RATCHETING HEX WRENCH



360° x 180° SWIVEL SQUARE DRIVE WRENCH

MODEL	MHW-2RWSD	MHW-4RWSD	MHW-8RWSD	MHW-14RWSD	MHW-30RWSD
TORQUE OUTPUT Nm (lbf.ft)					
Max. @ 700 Bar	1750 (1300)	4100 (3000)	10300 (7600)	14000 (10350)	35000 (25900)
Min.	150 (110)	350 (250)	800 (600)	1200 (900)	2500 (1800)
DIMENSIONS mm (in) :					
S	20 (3/4)	25 (1)	40 (1.1/2)	40 (1.1/2)	63.5 (2.1/2)
A	187 (7.36)	259 (10.19)	293 (11.54)	315 (12.40)	451 (17.76)
B	159 (6.26)	197 (7.76)	241 (9.49)	286 (11.26)	339 (13.35)
C	166 (6.54)	195 (7.68)	220 (8.66)	247 (9.72)	305 (12.01)
D	58 (2.28)	67 (2.64)	93 (3.66)	103 (4.06)	114 (4.49)
E	32 (1.26)	39 (1.54)	63 (2.48)	64 (2.52)	89 (3.50)
F	70 (2.76)	87 (3.43)	124 (4.88)	127 (5.00)	169 (6.65)
R	24 (0.94)	33 (1.30)	40 (1.57)	48 (1.89)	63.5 (2.5)
Weight kg (lbs) :					
TOOLS	4.32 (9.52)	6.50 (14.33)	12.1 (26.68)	15.80 (34.83)	28.50 (62.83)
REACTION ARM	0.60 (1.32)	1.2 (2.64)	3.3 (7.26)	3.5 (7.7)	5.4 (11.88)



Refer separate catalogue for MEKASTER Heavy Duty Sockets & Accessories. Accuracy $\pm 3\%$

SWIVEL RATCHETING HEX WRENCH

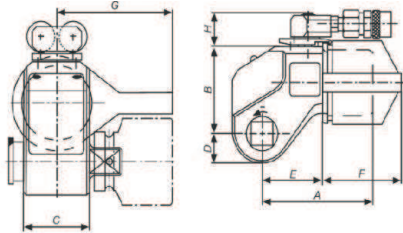
A/F Range		Max.Torque @ 700	Power Tool	AA	B	C	R	Weight
		Bar(10,000 psi)	Model					
mm	In.	Nm(lbf.ft)		mm(in)	mm(in)	mm(in)	mm(in)	Kg(lb)
24-60	15/16 – 2.3/8	1750(1300)	MHW-2RW	152(5.98)- 169(6.65)	164(6.46)- 183(7.20)	32(1.26)	24(0.94)- 43.4(1.70)	4.15 (9.15)- 4.45(9.81)
36-65	1.7/16 – 2.9/16	4100(3000)	MHW-4RW	193(7.59)- 210(8.26)	193(7.59)- 210(8.27)	35(1.38)	30(1.18)- 49.8(1.96)	5.80 (12.79)- 6.45(14.21)
46-75	1.13/16 – 2.15/16	6600(4960)	MHW-6RW	230(9.16)- 236(9.29)	206(8.11)- 226(8.89)	45(1.77)	41.8(1.64)- 57.3(2.11)	7.50 (16.53)- 8.00(17.64)
55-85	2.3/16 – 3.1/2	10300(7600)	MHW-8RW	240(9.45)- 257(10.12)	222(8.74)- 240(9.45)	57(2.24)	43.9(1.72)- 59(2.32)	10.65 (23.48)- 11.45 (25.24)
75-115	2.15/16 – 4.5/8	14000(10350)	MHW-14RW	288(11.34)- 313(12.32)	258(10.16)- 282(11.10)	64(2.52)	58.8(2.35)- 83.2(3.27)	14.20 (31.31)- 15.60 (34.39)
95-120	3.7/8 – 5	35000(25900)	MHW-30RW	360(14.18)- 375(14.77)	314(12.36)- 416(16.38)	76(2.99)	74.8(2.95)- 93.3(3.68)	24.95 (55.00)- 26.70 (58.86)

Ratcheting hex wrench comprises power tool along with hex wrench head.
Reaction arm is not required with ratcheting HEX wrenches as power tool housing has provisions to take up reaction from adjacent nut.

Note : Design subject to revision due to constant improvement

LIGHT WEIGHT HYDRAULIC TORQUE WRENCH

Square Drive Wrench

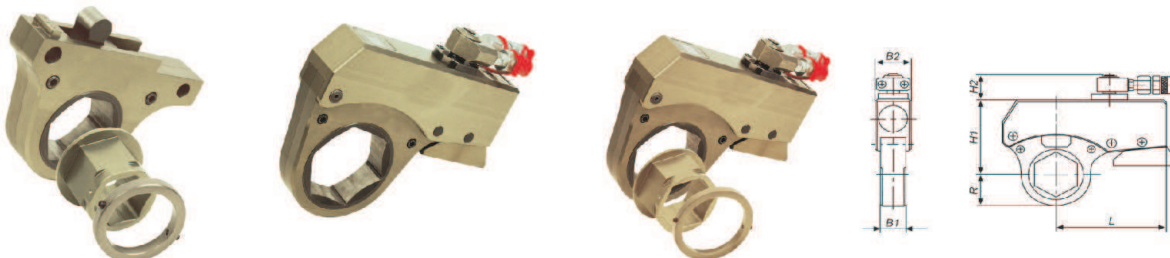


Specification								
MODELS		LDH-12V	LDH-24V	LDH-48V	LDH-75V	LDH-100V	LDH-170V	LDH-270V
Min. Torque (±5%)	Nm	60	120	230	400	500	800	1300
Max. Torque (±5%)@800bar	Nm	1200	2350	4800	7560	10000	16000	27000
Square drive	Inch	3/4"	3/4"	1"	1 1/2"	1 1/2"	1 1/2"	2 1/2"
Weight incl. support*(App)	Kg	1.9	2	3.9	6.2	7.8	11.8	24
A	mm	95	100	125	139	156	170	234
B	mm	62	72	92	107	115	134	164
C	mm	46	53	65	76	84	100	119
D	mm	19	24	31	36	39	48	59
E (straight/inclined)	mm	-/88	59/109	69/124	74/134	85/150	93/163	121/206
F (straight/inclined)	mm	-/48	41/58	56/80	94/93	71/99	77/108	113/113
G	mm	78	95	115	122	130	150	200
H	mm	35	35	35	35	35	50	50

* Ready for operation

A short support arm is recommended along with hex key drive for tightening of countersunk or raised hexagonal head bolts. Hydraulic Connection can be rotated through 360° - even in operation

Cassette Wrench



Specification					
Models		LDK-3	LDK-6	LDK-12	LDK-24
Min. Torque (±5%)	Nm	160	350	550	1200
Max Torque (±5%)@ 800 bar	Nm	3300	6200	12500	24000
Exchange cassette (Wk) SW	mm	32-60	41-80	55-100	80-130
Exchange cassette (WK) SW	Inch	1 1/4"-2 3/8"	1 5/8"-3 1/8"	2 3/16"-3 7/8"	3 1/8"-5"
Total weight with WK*(App)	Kg	2	3.3	5.3	13.3
L	mm	135	156	200	260
H1	mm	91/103	115/130	141/156	182/212
B2	mm	40	50	65	82
B1	mm	28	35	47	56
R	mm	28-48	34-59	46-73	62-95
H2	mm	38	38	38	50

* Ready for operation

A short support arm is recommended along with hex key drive for tightening of countersunk or raised hexagonal head bolts. Hydraulic Connection can be rotated through 360° - even in operation

Note : Design subject to revision due to constant improvement

HYDRAULIC TORQUE WRENCH POWER CONSOLE



SPECIFICATIONS	700 Bar Pump				800 Bar Pump			
	MPC-2ELM/7	MPC-3ELM/7A	MPC-1ARM/7	MPC-4ARM/7	MPC-MELM	MPC-1ELM	MPC-1ELMA	MPC-1ARM
Operating Power	230, 50Hz Single phase	230, 50Hz Single phase	Air: 4-10 bar (57 - 140 psig)	Air: 4-10 bar (57 - 140 psig)	230, 50Hz Single phase	230, 50Hz Single phase	230, 50Hz Single phase	Air: 4-10 bar (57 - 140 psig)
Hydraulic Flow (l/min/bar)								
1 st & 2nd Stage	4.43/120	9.6/120	10/200	5.2/120	2.94/230	4.5/300	4.5/300	10/200
3 rd stage	1.11/700	1.0/700	1.0/700	1.16/700	0.31/800	1.0/800	1.00/800	1.0/800
Tank capacity (litre)	3.7	6	5	6.5	3	3.7	3.7	5
Dimensions L/W/H approx. (mm)	400X250X450	690X260X400	340X350X420		320X230X400	370X195X360	370X195X360	340X350X420
Weight without / with oil (Kg.)	29.5/32.5	32/37	17/22	35/40	15/18	25/29	25/29	17/22
Twin Line Hose (m)	5	5	5	5	6	6	6	6
Control Pendant :								
(i) Length (m)	6	6	8	8	6	6	6	8
(ii) Type	Push button	Push button	Push button	Push button	Push button	Push button	Fully automatic (Start through Push button)	

Optional Cooler available with MPC-3ELM/7A

Note : Design subject to revision due to constant improvement

Hydraulic Stud Tensioner

- Used for Tensioner Bolts of various metric & imperial sizes.
- Metric M16 to M100.
- Imperial 3/4" to 4"Max.
- Working Pressure-1000/1500 bar
- Used with Hand Pump or with Pneumatic power pack & other accessories.
- Special Tensioners can also be developed with higher working pressure if required.
- Please send duly filled Stud Tensioner application sheet to offer you suitable proposal
- Please email at support@mekastertools.com for MS-Word Stud Tensioner application sheet.
- Pneumatic power pack upto 3000 bar also available.

Metric Size

Complete Hydraulic Tensioner Set (Includes Load Cell complete with coupler halves & tensioner kit)	Load Cell Complete with Coupler Halves	Tensioner Kit (Bridge, Pulling Nut, Nut Socket & Tommy Bar)		Capacity(Tonnes)		Effective Area cm ²
		Part No.	Thread metric	@ 1000 Bar	@ 1500 Bar	
MHTM-116x	MHT-1LC	MTKM-116x	M16			
MHTM-118x		MTKM-118x	M18			
MHTM-120x		MTKM-120x	M20	16.0	24.0	15.7
MHTM-122x		MTKM-122x	M22			
MHTM-124x		MTKM-124x	M24			
MHTM-227x	MHT-2LC	MTKM-227x	M27			
MHTM-230x		MTKM-230x	M30			
MHTM-233x		MTKM-233x	M33	33.6	50.0	33.0
MHTM-236x		MTKM-236x	M36			
MHTM-239x		MTKM-239x	M39			
MHTM-339x	MHT-3LC	MTKM-339x	M39			
MHTM-342x		MTKM-342x	M42			
MHTM-345x		MTKM-345x	M45	60.8	90.0	59.7
MHTM-348x		MTKM-348x	M48			
MHTM-448x	MHT-4LC	MTKM-448x	M48			
MHTM-452x		MTKM-452x	M52			
MHTM-456x		MTKM-456x	M56	84.6	125.0	83.0
MHTM-460x		MTKM-460x	M60			
MHTM-464x		MTKM-464x	M64			
MHTM-564x	MHT-5LC	MTKM-564x	M64			
MHTM-568x		MTKM-568x	M68			
MHTM-572x		MTKM-572x	M72	125.4	185.0	123.0
MHTM-576x		MTKM-576x	M76			
MHTM-676x	MHT-6LC	MTKM-676x	M76			
MHTM-680x		MTKM-680x	M80			
MHTM-685x		MTKM-685x	M85	179.4	265.0	176.0
MHTM-690x		MTKM-690x	M90			
MHTM-695x		MTKM-695x	M95			
MHTM-6100x		MTKM-6100x	M100			



American Size

Complete Hydraulic Tensioner Set (Includes Load Cell complete with coupler halves & tensioner kit)	Load Cell Complete with Coupler Halves	Tensioner Kit (Bridge, Pulling Nut, Nut Socket & Tommy Bar)		Capacity(Tonnes)		Effective Area cm ²
		Part No.	Thread Inch	@ 1000 Bar	@ 1500 Bar	
MHT-112xx	MHT-1LC	MTK-112xx	3/4"			
MHT-114xx		MTK-114xx	7/8"	16.0	24.0	15.7
MHT-116xx		MTK-116xx	1"			
MHT-218xx	MHT-2LC	MTK-218xx	1-1/8"			
MHT-220xx		MTK-220xx	1-1/4"			
MHT-222xx		MTK-222xx	1-3/8"	33.6	50.0	33.0
MHT-224xx		MTK-224xx	1-1/2"			
MHT-324xx	MHT-3LC	MTK-324xx	1-1/2"			
MHT-326xx		MTK-326xx	1-5/8"	60.8	90.0	59.7
MHT-328xx		MTK-328xx	1-3/4"			
MHT-330xx		MTK-330xx	1-7/8"			
MHT-430xx	MHT-4LC	MTK-430xx	1-7/8"			
MHT-432xx		MTK-432xx	2"			
MHT-436xx		MTK-436xx	2-1/4"	84.6	125.0	83.0
MHT-440xx		MTK-440xx	2-1/2"			
MHT-540xx	MHT-5LC	MTK-540xx	2-1/2"			
MHT-544xx		MTK-544xx	2-3/4"	125.4	185.0	123.0
MHT-548xx		MTK-548xx	3"			
MHT-648xx	MHT-6LC	MTK-648xx	3"			
MHT-652xx		MTK-652xx	3-1/4"			
MHT-656xx		MTK-656xx	3-1/2"	179.4	265.0	176.0
MHT-660xx		MTK-660xx	3-3/4"			
MHT-664xx		MTK-664xx	4"			



PULLERS

Mechanical

Part No.	No. of Jaws	Spread		Max. Reach (mm)	Rated Capacity (Tonnes)
		Inside (mm)	Outside (mm)		
MPM-021	2	60/175	32/130	60	2.0
MPM-022	3	40/125	40/100	60	3.0
MPM-101-S	2	63/180	50/210	135	6.5
MPM-101-L	2	80/200	50/250	200	6.5
MPM-101	2-S	63/180	50/210	135	6.5
	2-L	80/200	50/250	200	6.5
MPM-102-S	3	63/180	50/210	135	10.0
MPM-102-L	3	80/200	50/250	200	10.0
MPM-102	3-S	63/180	50/210	135	10.0
	3-L	80/200	50/250	200	10.0
MPM-201	2/3	-	75/500	475	20.0
MPMi-030		15	30	25	1
MPMi-050		20	50	50	2
					Bar Type
MPM-103		-	75/195	380	5
MPM-202		-	150/375	600	10

S-Short Jaws

L – Long Jaws



Interchangeable Puller Set

Interchangeable Puller set Part No. MPM-2000 B : This set has been designed with interchangeability concept so as to handle variety of general pulling jobs. The standardized component housed in sturdy steel box permits the puller to be assembled as 2 jaw and 3 jaw pullers equally suitable for internal as well as external jobs. The reach can be increased by use of extensions. A set of 4 step bushes are also included in the above puller.

Mode	Spread		Reach	Reach with Extension (mm)	Rated Capacity (Tonnes)	Approx Weight (Kgs.)
	Inside (mm)	Outside (mm)				
2 Jaws	60-175	32-130	6.0	270	2	10.2
3 Jaws	40-175	40-100	6.0	270	2	12.5

Interchangeable Puller Part No. MPM-104-B

This set has been designed as medium duty general purpose puller set suitable for a variety of jobs requiring a pulling force upto 10 tonnes maximum. The set consists of 2 Jaws, 3 Jaws and Bar type attachment in steel box for making either MPM-101 or MPM-102 or MPM-103 pullers listed earlier.



Note : Design subject to revision due to constant improvement

Pullers & Presses

Stud Extractor

Stud Extractor

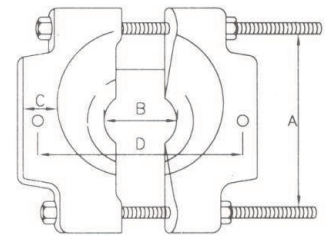
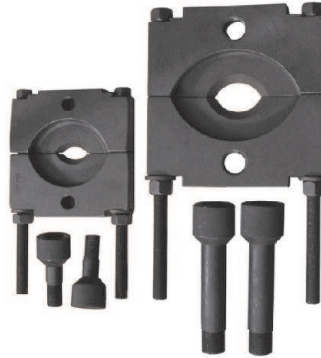
Suitable for removal and insertion of studs.

Part No.	□	Sub Capacity		Recommended Handle
		min.	max.	
MSR-212	1/2"	5(3/16")	12(1/2")	MAH-165
MSR-220	1/2"	8(5/16")	20(3/4")	MAH-210



Bearing Separators

Reach	A	Inside	Outside
		Max. (Mm)	Max. (mm)
MGBS-01	60	60	10
MGBS-02	115	115	16
MGBS-03	173	155	38
MGBS-04	215	215	50
MGBS-05	310	310	134
MGBS-06	430	430	155



Internal Pulling Attachments (Bearing Cup Pulling)

Part No.	Spread		Reach
	Min.	Max.	
MHPI-1015	38	155	100
MHPI-2015	38	155	100
MHPI-3022	75	230	150
MHPI-5022	75	230	150
MHPI-10035	100	350	200



PULLERS

Hydraulic

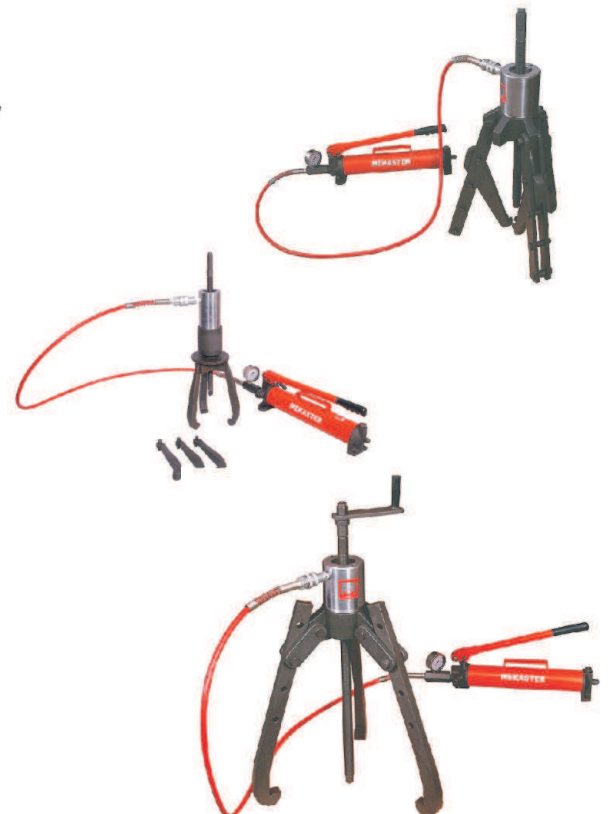
Jaw Type – Standard Model

Part No.	No. of Jaws	Spread		Max. Reach (mm)	Rated Capacity (Tonnes)
		Inside (mm)	Outside (mm)		
MPH-101B	2-S	63-190	50-212	136	10
	2-L	80-200	50-250	200	10
MPH-102B	3-S	63-190	50-212	136	10
	3-L	80-200	50-250	200	10
MPH-201B	2 & 3	-	75-500	475	20
MPH-301B	2 & 3	-	75-500	475	30
MPH-501B	2 & 3	-	200-1100	700	50
MPH-1001	2 & 3	-	300-1250	1200	100
Long Reach Model 2 & 3 Jaw					
MPH-105B	2 & 3	-	75-350	380	10
MPH-204B	2 & 3	-	75-500	500	20
MPH-304B	2 & 3	-	75-500	500	30

S-Short Jaws

L – Long Jaws

End Connection 3/8" NPT
Max. working pressure 700 bar

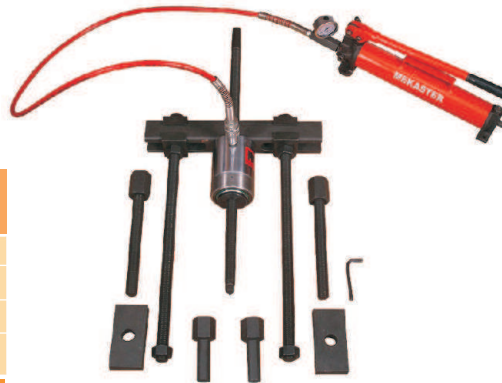


Note : Design subject to revision due to constant improvement

PULLERS

Bar Type (Push/Puller)

Part No.	Spread Outside (mm)	Max. Reach (mm)	Rated Capacity tones
MPH-103B	75-195	380	10
MPH-202B	150-375	600	20
MPH-302B	150-375	600	30
MPH-502B	190-575	910	50



Bearing separators & internal cup pulling attachments available as optional

Interchangeable Puller Set

Dimension in mm

Part No.	Rated Capacity (Tonnes)	Jaw Mode			Push/Puller Mode	
		Inside Spread (mm)	Outside (mm)	Reach Outside	Spread	Reach
MPH-104B	10	63-190-S	50-200-S	135-S	75-195	380
		80-200-L	50-250-L	200-L		
MPH-203B	20	-	75-500	475	150-375	600
MPH-303B	30	-	75-500	475	150-375	600
MPH-503B	50	-	200-1100	700	190-575	910

S-Short Jaws

L – Long Jaws



Master Puller Set

Dimension in mm

Part No.	Capacity Tonnes	Spread (mm)		Reach (mm)	Remarks
		In	Out	Approx.	
MPH-107B	10	-	50-350	380	2/3 Jaws Mode Push
		-	75-195	380	Puller Mode Bearing
		-	10-115	380	Separator Internal
		38-155	-	100	(Bearing Cup) Pulling
MPH-206B	20	-	75-500	500	2/3 Jaws Mode Push
		-	150-375	600	Puller Mode Bearing
		-	16-155	600	Separator Internal
		38-155	-	100	(Bearing Cup) Pulling
MPH-306B	30	-	75-500	500	2/3 Jaws Mode Push
		-	150-375	600	Puller Mode Bearing
		-	38-215	600	Separator Internal
		75-230	-	150	(Bearing Cup) Pulling
MPH-504B	50	-	200-1100	700	2/3 Jaws Mode Push
		-	190-575	910	Puller Mode
		-	50-310	910	Bearing Separator



End Connection 3/8" NPT
Max. working pressure 700 bar

Note : Design subject to revision due to constant improvement

HYDRAULIC BENCH PRESS

Mekaster Hydraulic Bench Press gives 10/20 tonnes of pressing force with 150mm stroke and spring assisted return with provision for lateral adjustment of cylinder for off center pressing jobs. These press is supplied complete with Hydraulic Hand Pump, H.P hose, Pressure gauge with adaptor and Quick connect disconnect coupler.

Part No.	MHP-120	MHP-220
Maximum Capacity (Tonnes)	10	20
Overall Height	670mm	670mm
Overall Width	540mm	540mm
Day Light (Job Capacity)	475mm	475mm
Bed width	390mm	390mm
Weight	75 kgs approx	78 kgs approx



Lateral Adjustment of Cylinder for off Center Pressing Jobs

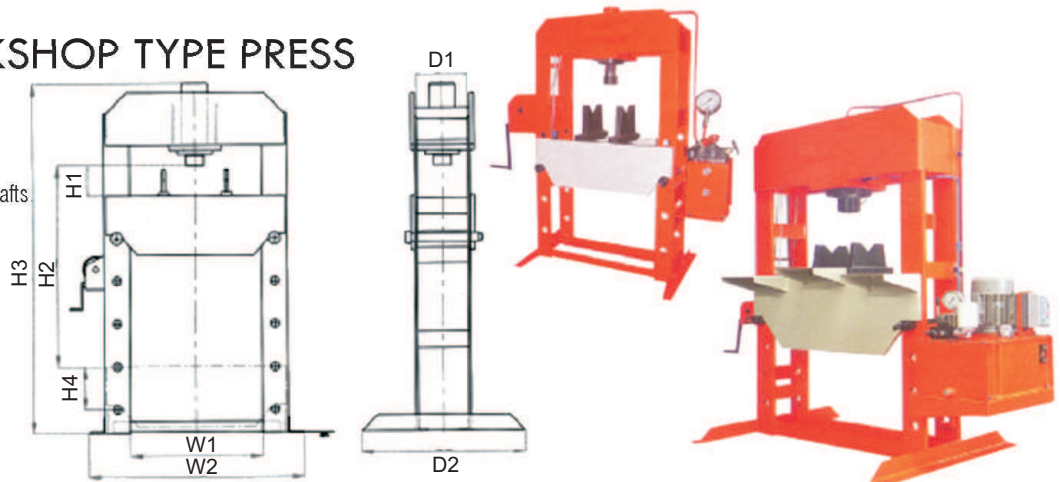
Note :

Design Subject to revision due to constant improvement

HYDAULIC WORKSHOP TYPE PRESS

Application :

For Removal and Fitment of bearing, sprockets, gears and straightening of shafts



All the dimensions are in mm

Model	Capacity (Tonnes)	Cylinder Type	Stroke	Daylight		Total Height (H3)	Hole Gap (H4)	Table Width W1	Press Width W2	Depth		Power Source
				Min (H1)	Max (H2)					D1	D2	
MHP-10/15P	10	Spring Return	150	150	600	1160	150	500	740	200	500	Hand Pump
MHP-15/15P	15	Spring Return	150	150	600	1160	150	500	740	200	500	Hand Pump
MHP-20/15P	20	Spring Return	150	150	750	1455	150	600	900	220	600	Hand Pump
MHP-30/15P	30	Spring Return	150	150	750	1455	150	600	900	220	600	Hand Pump
MHP-50/15P	50	Spring Return	150	150	900	1790	150	750	1130	250	750	Hand Pump
MHP-75/20P	75	Spring Return	200	200	1000	1920	200	900	1310	280	900	Hand Pump
MHP-100/20EP	100	Double Acting	200	250	1050	2110	200	1000	1470	320	1010	Electric Power Pack
MHP-150/30EP	150	Double Acting	300	300	1050	2285	250	1250	1810	380	1120	Electric Power Pack
MHP-200/30EP	200	Double Acting	300	300	1050	2460	250	1250	1930	450	1350	Electric Power Pack
MHP-500/30EP	500	Double Acting	300	250	1500	2745	250	1250	1950	612	1500	Electric Power Pack

- Two Stage Hand Pump/Motorized Power Pack are optional.
- Mechanical Winch for Model 50T and above, Optional for Others.
- Standard Accessories : Pair of V Block and one Pushing adaptor.
- Power pack are optional with 1 or 3 single phase motor without Pair of V Block.

Higher Capacity and Customized solution on request.

Note : Design subject to revision due to constant improvement

HYDRAULIC TYRE BEAD BREAKER

- Maximum Operating working Pressure 10,000 psi/700 Bar
- Design pressure 700 bars.
- Alloy steel hydraulic cylinder - hardened & tempered, hard chrome plated & honed to fine finish.
- Alloy steel piston – hardened & tempered, hard chrome plated, ground.

SPECIFICATION

Hydraulic Cylinder Capacity : 10 Tonnes

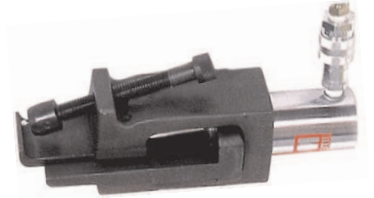
Tyre Size : 25"-49"

Ram Diameter 635 to 1245mm

Mekaster 10 Ton Capacity Portable Hydraulic Tyre Bead Breaker designed specially for 25" to 49" (635 to 1245mm) diameter **Earth Mover rims with pry bars Pocket** (in the bead seat band & rim back section) for easy removing of tyres by unseating tyre beads with tyres on or off the vehicle.

Model	MHTB-100B	MHTB-100B2
Description	Individual Set	Pair with Common Pump
		Partno
Tyre Bead Breaker Head Assembly	MHTB-100-2	MHTB-100-2(2)
Hydraulic Cylinder	MHTB-100C	MHTB-100-2 (2)
Pump	MHHP-91	MHHP-151 (1)
Quick Coupler	MHQC-06	MHQC-06 (5)
H.P. Hose	MRH-620	MRH-620 (3)
Manifold Block		MHMB-12 (1)
Steel Box	MEK-102H	MEK-102H

It is recommended to use hydraulic tyre bead breaker in pair to provide even unseating of tyre beads.



HYDRAULIC NUT SPLITTERS

Mekaster Nut Splitters are specially designed lightweight and compact and is very handy for repair and maintenance, in offshore and chemical industries. This is ideal for "Cold cut" solution for quick & safe removal of corroded or tight nuts.

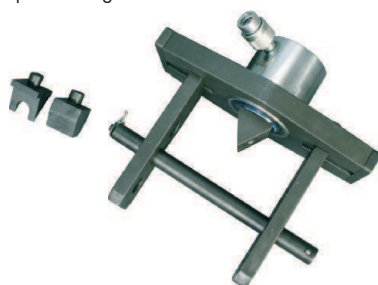
- Light Weight Compact design reduces cutting time and allows operation in confined area.
- Unique and special angled head design.
- Heavy duty-chisels can be reground/sharpened. Spare chisels available.
- Thorough hardened & tempered to precise levels.
- Single acting, spring return cylinder. After cutting piston is retracted by spring return cylinder.



Part No.	Hex Size	Thread Size	Max Capacity (Tonnes)	A	B	C	D	E	F	Approx. Weight (Kgs.)	Complete Set Part No.
MHNS-08H	10-19	M6-M12	4.3	40	50	8	20	121	30	1.5	MHNS-08P
MHNS-10H	19-24	M12-M16	8.8	54	65	10	24	150	41	2.3	MHNS-10P
MHNS-12H	24-32	M16-M22	15	64	75	13	30	188	52	4.0	MHNS-12P
MHNS-16H	32-41	M22-M27	20	78	90	20	37	217	69	6.5	MHNS-16P
MHNS-20H	41-50	M27-M33	30	95	105	21	45	271	48	10.6	MHNS-20P
MHNS-24H	50-60	M33-M39	50	105	130	25	54	313	91	14.6	MHNS-24P
MHNS-27H	60-75	M39-M48	90	156	180	27	75	356	110	33.5	MHNS-27P

HYDRAULIC FLANGE SPREADER

Single acting, spring return cylinder.
Light Weight compact design.



Part No.	Hyd. Capacity Tonnes	Flange Opening		Combined Max Total Thickness (mm)	Flange Pin Dia (mm)
		Min. (mm)	Max. (mm)		
MHFS-50B	5	2	28	120	16
MHFS-50B2*	5	2	28	120	16
MHFS-100B	10	2	32	165	16
MHFS-100B2*	10	2	32	165	16
MHFS-300B	30	2	50 (600) 25 (300)	255	25
MHFS-300B2*	30	2	50 (600) 25 (300)	255	25

*Pair with Common Pump

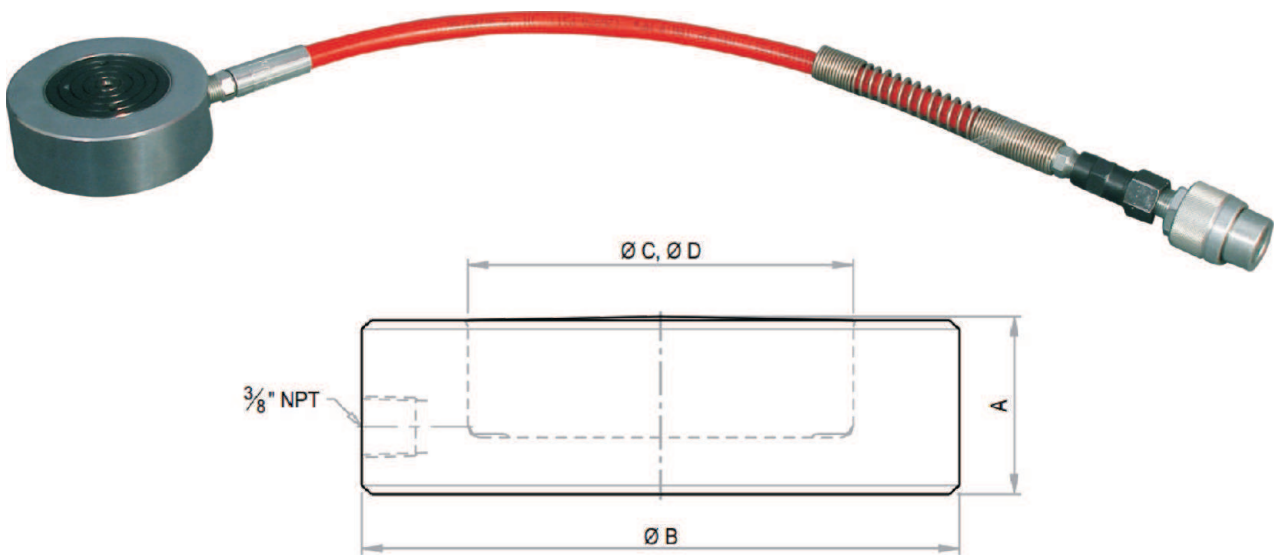
PANCAKE JACK

Application

Designed for extremely low clearance.

Suitable for precision lifting, alignment of machinery, heavy structures and removal of pulleys / sprockets on taper seats.

Note : Provide a level and solid support for entire Jack base area since the ram guide length is small.



Pancake Jack (Very Low Height Plain Ram, Single Acting - Load Return)									
Model	Cylinder capacity (Tonnes)	Stroke (mm)	Closed Height (mm)	Cylinder OD (mm)	Ram Dia (mm)	Oil Capacity (cc)	Wt. (Approx.) (Kg)	Suitable Pump	Complete Set
MPVLJ-10C*	10	10	30	85	45	16	1	MHHP-91	MPVLJ-10P
MPVLJ-20C*	20	10	35	100	63	31	2	MHHP-91	MPVLJ-20P
MPVLJ-30C	30	10	40	120	75	45	4	MHHP-91	MPVLJ-30P
MPVLJ-50C	50	10	50	155	100	79	8	MHHP-91	MPVLJ-50P
MPVLJ-100C	100	10	70	210	140	154	19	MHHP-91	MPVLJ-100P
MPVLJ-150C	150	10	75	260	170	227	31	MHHP-202	MPVLJ-150P
MPVLJ-200C	200	10	80	300	200	314	45	MHHP-202	MPVLJ-200P

* Supplied with 3/8" NPT HP Hose, other supplied with 3/8" NPTF end connection.

All Dimensions are in mm.

Complete Set with Cylinder, Hand Pump, Couplers, HP Hose, Pressure Gauge and Pressure gauge Adaptor.

Maximum Working Pressure 700 Bar.

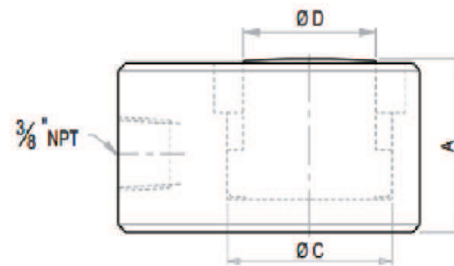
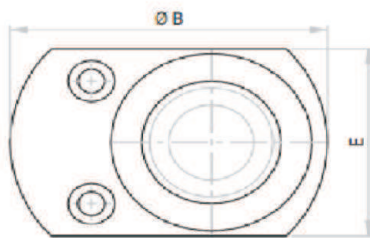
Note : Design subject to revision due to constant improvement

FLAT JACK

Application

Designed for minimum clearance area Mounting holes for easy fixturing. Suitable for structural weld positioning, rigging in bridge construction, heavy fabrication and maintenance.

Note : Provide a level and solid support for entire Jack base area since the ram guide length is small.



Flat Jack (Single Acting Spring Return)

Model	Capacity (Tonnes)	Closed Height	Stroke	Extended Height	Ram Dia	Base E & F	Oil Capacity (Cc)	Suitable Pump	Complete Set part
MLHJ-05C	5	35	8	43	20	60X45	6	MHHP-91	MLHJ-05P
MLHJ-10C	10	45	12	57	35	80X60	19	MHHP-91	MLHJ-10P
MLHJ-20C	20	55	12	67	50	100X80	37	MHHP-91	MLHJ-20P
MLHJ-30C	30	60	12	72	60	115X95	53	MHHP-91	MLHJ-30P
MLHJ-50C	50	65	16	81	70	140X115	102	MHHP-91	MLHJ-50P
MLHJ-75C	75	80	16	96	85	165X140	152	MHHP-91	MLHJ-75P
MLHJ-100C	100	85	16	101	100	180X155	212	MHHP-202	MLHJ-100P
MLHJ-150C	150	100	16	116	120	220X195	322	MHHP-202	MLHJ-150P
MLHJ-200C	200	115	16	131	140	265X230	454	MHHP-202	MLHJ-200P

All dimensions are in mm

End Connection 3/8" NPT

Set complete with Ram, Pump, Couplers, Hose, Pressure gauge & Gauge Adaptor

Max. working pressure 700 bar

Note : Design subject to revision due to constant improvement

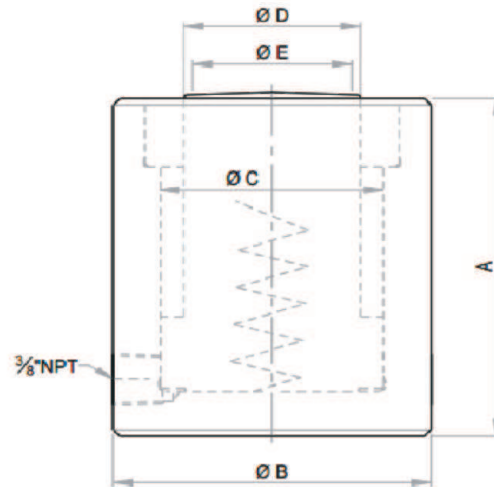
SHORT HEIGHT JACK

Application

Low height design suitable for confined area.

Used in Power and Steel Plants, Ship building / Ship repair and Construction..

Note : Provide a level and solid support for entire Jack base area since the ram guide length is small.



Short Height Jack (Single Acting, Spring Return)									
Model	Capacity (Tonnes)	Closed Height	Stroke (mm)	Oil Capacity (cc)	Cylinder OD	Ram Dia	Weight Approx	Suitable Pump	Complete Set part No.
MSHJ-10C	10	90	30	48	70	35	2.5	MHHP-91	MSHJ-10P
MSHJ-20C	20	115	50	156	90	50	5	MHHP-91	MSHJ-20P
MSHJ-30C	30	120	50	221	100	60	6	MHHP-91	MSHJ-30P
MSHJ-50C	50	125	60	471	130	80	11	MHHP-91	MSHJ-50P
MSHJ-75C	75	145	60	679	155	95	18.2	MHHP-202	MSHJ-75P
MSHJ-100C	100	150	60	923	175	110	24	MHHP-202	MSHJ-100P
MSHJ-150C	150	175	60	1362	220	140	34	MHHP-202	MSHJ-150P
MSHJ-200C	200	200	60	1885	255	160	62	MHHP-202	MSHJ-200P

All Dimensions are in mm End Connection 3/8" NPT Female.

Complete Set with Cylinder, Hand Pump, Couplers, HP Hose, Pressure Gauge and Pressure gauge Adaptor Maximum Working Pressure 700 Bar

Note : Design subject to revision due to constant improvement

LOW HEIGHT THREADED RAM WITH SAFETY LOCK NUT AND TILT SADDLE

Tilt up to 60.

Reduce the affects of off center loading.

Radial Grooves on the top of the cap reduces load slippage.

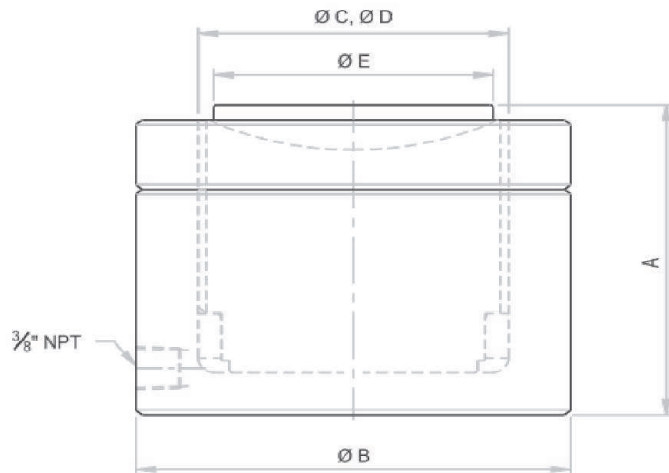
Application

Designed for low clearance confined area.

Suitable for precision lifting, alignment of machinery, heavy structures and girders

Mechanical load holding indefinitely.

Note : Provide a level and solid support for entire Jack base area since the ram guide length is small.



Single Acting Load Return , Low Height Threaded Ram with Safety Lock Nut and Tilt Saddle

Model	Cylinder capacity (Tonnes)	Stroke (mm)	Closed Height (mm) A	Cylinder OD (mm) B	Ram Dia (mm) D	Oil Capacity (cc)	Wt. (Approx.) (Kg)	Suitable Pump	Complete set
MSRJL-50C	50	50	125	140	100	393	14.7	MHHP-91	MSRJL-50P
MSRJL-20C	100	50	140	175	140	770	25.8	MHHP-202	MSRJL-100P
MSRJL-150C	150	45	150	220	170	1022	45.6	MHHP-202	MSRJL-150P
MSRJL-200C	200	45	155	255	200	1414	60.9	MHHP-202	MSRJL-200P
MSRJL-250C	250	45	165	280	220	1710	78.2	MHHP-202	MSRJL-250P
MSRJL-300C	300	45	180	310	240	2036	105	MHHP-202	MSRJL-300P
MSRJL-400C	400	45	195	350	270	2577	144.8	MHHP-202	MSRJL-400P
MSRJL-500C	500	45	210	400	300	3181	203.8	MHHP-202	MSRJL-500P

All Dimensions are in mm End Connection 3/8" NPT Female.

Complete Set with Cylinder, Pump, Couplers, HP Hose, Pressure Gauge and Pressure gauge Adaptor Maximum Working Pressure 700 Bar.

Note : Design subject to revision due to constant improvement

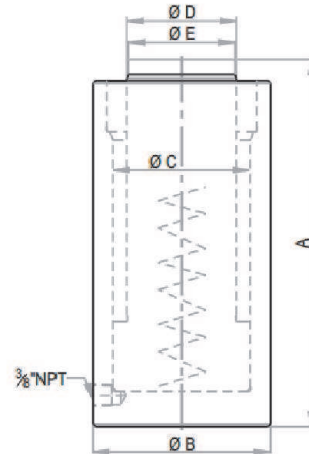
PLAIN RAM SINGLE ACTING JACK

Application

Standard multipurpose application jacks.

Guide rings at piston and gland nut facilitates to use in all directions - centrally loaded.

Base mounting holes and collar threads are optional.



Plain Ram, Single Acting, Spring Return

Model	Cylinder Capacity (Tonnes)	Stroke (mm)	Closed Height (mm) A	Cylinder OD (mm) B	Ram Dia (mm) D	Oil Capacity (cc)	Weight Approx (Kg.)	Suitable Pump	Complete Set
MPRJ-05/05C	5	50	140	45	25	40	1.5	MHHP-91	MPRJ-05/05P
MPRJ-05/10C	5	100	190	45	25	80	1.9	MHHP-91	MPRJ-05/10P
MPRJ-05/15C	5	150	240	45	25	120	2.3	MHHP-91	MPRJ-05/15P
MPRJ-10/05C	10	50	140	60	35	80	2.4	MHHP-91	MPRJ-10/05P
MPRJ-10/10C	10	100	190	60	35	159	3.2	MHHP-91	MPRJ-10/10P
MPRJ-10/15C	10	150	240	60	35	239	3.9	MHHP-91	MPRJ-10/15P
MPRJ-10/20C	10	200	290	60	35	318	4.6	MHHP-91	MPRJ-10/20P
MPRJ-15/05C	15	50	150	70	45	119	3.5	MHHP-91	MPRJ-15/05P
MPRJ-15/10C	15	100	200	70	45	238	4.4	MHHP-91	MPRJ-15/10P
MPRJ-15/15C	15	150	250	70	45	357	5.3	MHHP-91	MPRJ-15/15P
MPRJ-15/20C	15	200	300	70	45	476	6.2	MHHP-91	MPRJ-15/20P
MPRJ-20/05C	20	50	155	80	50	156	4.6	MHHP-91	MPRJ-20/10P
MPRJ-20/10C	20	100	205	80	50	312	5.8	MHHP-91	MPRJ-20/15P
MPRJ-20/15C	20	150	255	80	50	468	7.3	MHHP-91	MPRJ-20/15P
MPRJ-20/20C	20	200	305	80	50	624	8.4	MHHP-91	MPRJ-20/20P
MPRJ-25/05C	25	50	170	90	55	193	7.1	MHHP-91	MPRJ-25/05P
MPRJ-25/10C	25	100	220	90	55	385	8.6	MHHP-91	MPRJ-25/10P
MPRJ-25/15C	25	150	270	90	55	578	10.3	MHHP-91	MPRJ-25/15P
MPRJ-25/20C	25	200	320	90	55	770	11.8	MHHP-91	MPRJ-25/20P
MPRJ-30/05C	30	50	180	100	60	221	9.1	MHHP-91	MPRJ-30/05P
MPRJ-30/10C	30	100	230	100	60	442	11.1	MHHP-91	MPRJ-30/10P
MPRJ-30/15C	30	150	280	100	60	663	13.6	MHHP-151	MPRJ-30/15P
MPRJ-30/20C	30	200	330	100	60	884	15.6	MHHP-202	MPRJ-30/20P
MPRJ-50/05C	50	50	190	130	80	393	16.1	MHHP-202	MPRJ-50/05P
MPRJ-50/10C	50	100	240	130	80	785	19.4	MHHP-202	MPRJ-50/10P
MPRJ-50/15C	50	150	290	130	80	1178	23.9	MHHP-202	MPRJ-50/15P
MPRJ-50/20C	50	200	340	130	80	1570	27.1	MHHP-202	MPRJ-50/20P

All Dimensions are in mm End Connection 3/8" NPT Female.

Complete Set with Cylinder, Pump, Couplers, HP Hose, Pressure Gauge and Pressure gauge Adaptor Maximum Working Pressure 700 Bar.

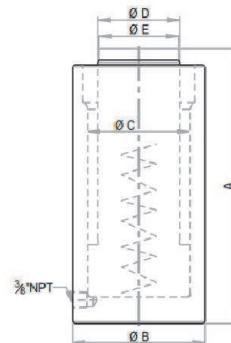
Note : Design subject to revision due to constant improvement

PLAIN RAM SINGLE ACTING JACK

Application

Standard multipurpose application jacks.

Guide rings at piston and gland nut facilitates to use in all Base mounting holes and collar threads are optional.



Plain Ram, Single Acting, Spring Return									
Model	Cylinder Capacity (Tonnes)	Stroke (mm)	Closed Height (mm) A	Cylinder OD (mm) B	Ram Dia (mm) D	Oil Capacity (cc)	Weight (Approx.) (Kg.)	Suitable Pump	Complete Set
MPRJ-75/10C	75	100	245	155	95	1131	29.4	MHHP-202	MPRJ-75/10P
MPRJ-75/15C	75	150	295	155	95	1697	33.2	MHHP-202	MPRJ-75/15P
MPRJ-75/20C	75	200	345	155	95	2262	38	MHHP-202	MPRJ-75/20P
MPRJ-100/05C	100	50	215	180	110	770	33.8	MHHP-202	MPRJ-100/05P
MPRJ-100/10C	100	100	265	180	110	1539	41	MHHP-202	MPRJ-100/10P
MPRJ-100/15C	100	150	315	180	110	2309	47.2	MHHP-202	MPRJ-100/15P
MPRJ-100/20C	100	200	335	180	110	3078	55.5	MHHP-202	MPRJ-100/20P
MPRJ-150/50C	150	50	225	220	140	1135	54.4	MHHP-202	MPRJ-150/50P
MPRJ-150/10C	150	100	275	220	140	2270	64.6	MHHP-402	MPRJ-150/10P
MPRJ-150/15C	150	150	325	220	140	3405	74.8	MHHP-402	MPRJ-150/15P
MPRJ-200/50C	200	50	240	255	160	1571	77.8	MHHP-402	MPRJ-200/50P
MPRJ-200/10C	200	100	290	255	160	3142	89	MHHP-402	MPRJ-200/10P
MPRJ-200/15C	200	150	340	255	160	4713	100.2	MHHP-402	MPRJ-200/15P
MPRJ-250/10C	250	100	295	280	180	3801	117	MHEP-1-2-20HD	MPRJ-250/10EP
MPRJ-250/15C	250	150	345	280	180	5702	133	MHEP-1-2-20HD	MPRJ-250/15EP
MPRJ-250/20C	250	200	395	280	180	7602	150	MHEP-1-2-20HD	MPRJ-250/20EP
MPRJ-300/10C	300	100	305	310	200	4524	148	MHEP-1-2-20HD	MPRJ-300/10EP
MPRJ-300/15C	300	150	355	310	200	6786	167	MHEP-3-2-40HD	MPRJ-300/15EP
MPRJ-300/20C	300	200	405	310	200	9048	185.9	MHEP-3-2-40HD	MPRJ-300/20EP
MPRJ-400/10C	400	100	330	350	220	5726	202	MHEP-3-2-40HD	MPRJ-400/10EP
MPRJ-400/15C	400	150	380	350	220	8589	228	MHEP-3-2-40HD	MPRJ-400/15EP
MPRJ-400/20C	400	200	430	350	220	11452	253	MHEP-3-2-40HD	MPRJ-400/20EP
MPRJ-500/10C	500	100	350	400	250	7069	281	MHEP-3-3-40HD	MPRJ-500/10EP
MPRJ-500/15C	500	150	400	400	250	10604	316	MHEP-3-3-40HD	MPRJ-500/15EP
MPRJ-500/20C	500	200	450	400	250	14138	350	MHEP-3-3-40HD	MPRJ-500/20EP
MPRJL-600/10C *	600	100	370	430	275	8553	380	MHEP-3-5-50HD	MPRJL-600/10EP*
MPRJL-600/15C *	600	150	420	430	275	12830	430	MHEP-3-5-50HD	MPRJL-600/15EP*
MPRJL-600/20C *	600	200	470	430	275	17106	470	MHEP-3-5-50HD	MPRJL-600/20EP*
MPRJL-800/10C *	800	100	385	505	310	11341	540	MHEP-3-5-50HD	MPRJL-800/10EP*
MPRJL-800/15C *	800	150	435	505	310	17012	605	MHEP-3-5-50HD	MPRJL-800/15EP*
MPRJL-800/20C *	800	200	485	505	310	22682	670	MHEP-3-5-50HD	MPRJL-800/20EP*
MPRJL-1000/10C *	1000	100	455	560	350	14186	790	MHEP-3-5-50HD	MPRJL-1000/10EP*
MPRJL-1000/15C *	1000	150	505	560	350	21280	870	MHEP-3-5-50HD	MPRJL-1000/15EP*
MPRJL-1000/20C *	1000	200	555	560	350	28372	950	MHEP-3-5-50HD	MPRJL-1000/20EP*

*Load Return Type

All Dimensions are in mm End Connection 3/8" NPT Female.

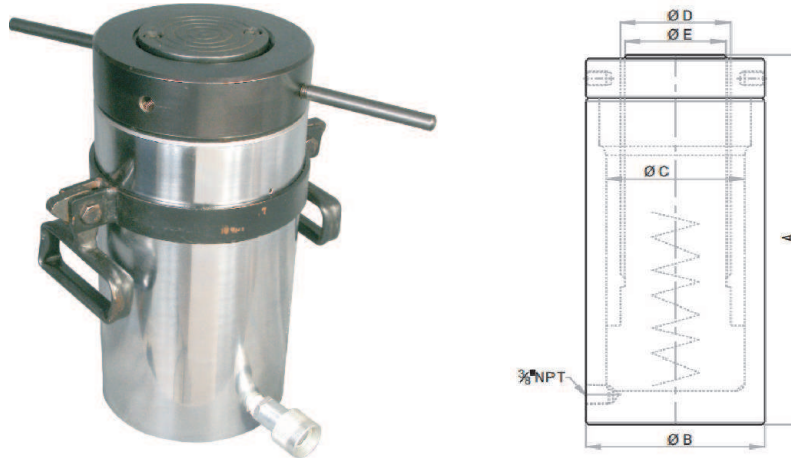
Complete Set with Cylinder, Pump, Couplers, HP Hose, Pressure Gauge and Pressure gauge Adaptor Maximum Working Pressure 700 Bar.

Note : Design subject to revision due to constant improvement

SCREWED RAM-WITH LOCK NUT

Application

Suitable for sustained load holding such as concrete pile testing bridge support work in construction industries. Multipurpose application for maintenance in industries such as steel, cement and power plants.



Screwed Ram-With Lock Nut (Spring Return)									
Model	Ram Capacity (Tonnes)	Stroke (mm)	Closed Height (mm)	Cylinder OD (mm)	Ram Dia (mm)	Oil Capacity (cc)	Weight Approx (Kg.)	Suitable Pump	Complete Set
MSRJ-10/15C	10	150	250	60	40	239	4.3	MHHP-91	MSRJ-10/15P
MSRJ-15/15C	15	150	260	70	45	357	5.7	MHHP-91	MSRJ-15/15P
MSRJ-20/15C	20	150	270	80	50	468	8.7	MHHP-91	MSRJ-20/15P
MSRJ-25/15C	25	150	285	90	55	578	11	MHHP-91	MSRJ-25/15P
MSRJ-30/15C	30	150	295	100	60	663	14.5	MHHP-202	MSRJ-30/15P
MSRJ-50/15C	50	150	310	130	80	1178	26.3	MHHP-202	MSRJ-50/15P
MSRJ-75/15C	75	150	320	155	95	1697	38	MHHP-202	MSRJ-75/15P
MSRJ-100/15C	100	150	350	175	110	2309	55.6	MHHP-202	MSRJ-100/15P
MSRJ-150/15C	150	150	365	220	140	3405	93.5	MHHP-202	MSRJ-150/15P
MSRJ-200/15C	200	150	380	255	160	4713	130	MHHP-402	MSRJ-200/15P
MSRJ-250/15C	250	150	395	280	180	5702	164	MHHP-402	MSRJ-250/15P
MSRJ-300/15C	300	150	410	310	200	6786	209	MHEP-3-3-40HD	MSRJ-300/15EP
MSRJ-400/15C	400	150	450	350	220	8589	291	MHEP-3-3-40HD	MSRJ-400/15EP
MSRJ-500/15C	500	150	475	400	250	10604	410	MHEP-3-3-40HD	MSRJ-500/15EP
MSRJL-600/15C*	600	150	500	430	275	12830	550	MHEP-3-5-50HD	MSRJL-600/15EP*
MSRJL-800/15C*	800	150	535	505	310	17012	685	MHEP-3-5-50HD	MSRJL-800/15EP*
MSRJL-1000/15C*	1000	150	570	560	350	21279	1060	MHEP-3-5-50HD	MSRJL-1000/15EP*

*Load Return Type

All Dimensions are in mm End Connection 3/8" NPT Female.

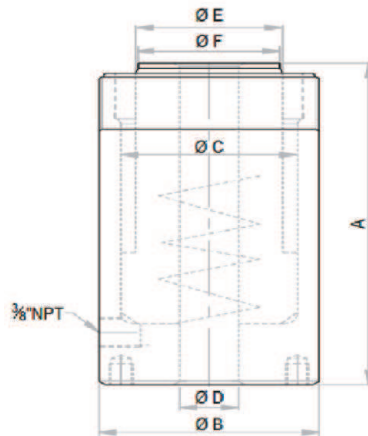
Complete Set with Cylinder, Pump, Couplers, HP Hose, Pressure Gauge and Pressure gauge Adaptor Maximum Working Pressure 700 Bar.

Note : Design subject to revision due to constant improvement

HOLLOW RAM SINGLE ACTING

Application

With hydraulic pullers with mechanical accessories for removing and assembling bearing bushes, pins, cylinder liners, pulling tubes of heat exchangers, gears and flanges of machinery.



Hollow (Center Hole) Ram (Single Acting, Spring Return)										
Cylinder Model	Capacity Tonnes	Stroke (mm)	Closed Height A	Cylinder OD B	C Hole Dia D	Ram Dia E	Saddle Dia F	Weight (Approx) (Kgs)	Suitable Pump	Complete Set Part No.
MJH-10/05C	10	50	160	75	20	50	50	3.9	MHHP-91	MJH-10/05P
MJH-10/08C	10	75	185	75	20	50	50	4.4	MHHP-91	MJH-10/08P
MJH-20/10C	20	100	210	105	27	75	73	5.1	MHHP-91	MJH-20/10P
MJH-20/05C	20	50	165	105	27	75	73	8.2	MHHP-91	MJH-20/05P
MJH-20/10C	20	100	215	105	27	75	73	10.8	MHHP-91	MJH-20/10P
MJH-20/15C	20	150	265	115	27	78	73	12	MHHP-91	MJH-20/15P
MJH-30/05C	30	50	185	115	33	80	78	10.5	MHHP-91	MJH-30/05P
MJH-30/08C	30	75	210	115	33	80	78	11.7	MHHP-91	MJH-30/08P
MJH-30/10C	30	100	235	115	33	80	78	12.9	MHHP-91	MJH-30/10P
MJH-50/15C	50	150	285	150	42	100	97	15.3	MHHP-202	MJH-50/15P
MJH-50/08C	50	75	220	150	42	100	97	21.9	MHHP-202	MJH-50/08P
MJH-50/10C	50	100	245	150	42	100	97	23.8	MHHP-202	MJH-50/10P
MJH-60/08C	60	75	235	165	54	110	107	28.8	MHHP-202	MJH-60/08P
MJH-60/10C	60	100	260	165	54	110	107	31.2	MHHP-202	MJH-60/10P
MJH-100/15C	100	150	320	215	77	150	146	53	MHHP-202	MJH-100/15P
MJH-100/08C	100	75	245	215	77	150	146	45	MHHP-202	MJH-100/15P
MJH-100/10C	100	100	270	215	77	150	146	49	MHHP-202	MJH-100/10P

All Dimensions are in mm End Connection 3/8" NPT Female.

Complete Set with Cylinder, Pump, Couplers, HP Hose, Pressure Gauge and Pressure gauge Adaptor Maximum Working Pressure 700 Bar.

Note : Design subject to revision due to constant improvement

LIGHT METAL HYDRAULIC CYLINDERS

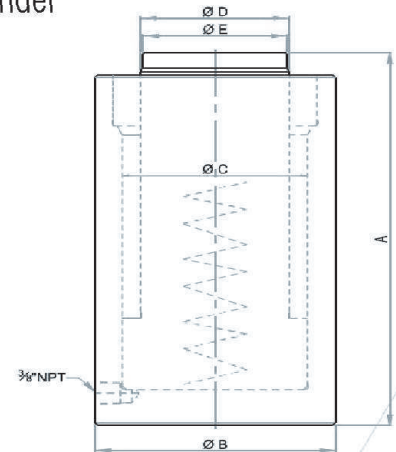
Light Metal General Purpose Single Acting Plain Ram Spring Return Cylinder

Features :

- Almost half the weight of steel jack with same specifications.
- Composite Bearings as guide avoid metal to metal contact.
- Inhibits corrosion resistance

Application :

Standard Multipurpose Jacks.
 Guide rings at piston and gland nut facilitate to use in all directions when centrally loaded.
 Base mounting holes are optional.



Specification :

Model	Cylinder capacity (Tonnes)	Stroke (mm)	Closed Height (mm) A	Cylinder OD (mm) B	Ram Dia (mm) D	Saddle Dia E	Oil Capacity (cc)	Wt. Approx (Kg.)	Suitable Pump	Complete Set
MPRJA-30/15P	30	150	280	100	60	45	663	5.5	MHHP-202	MPRJA-30P
MPRJA-50/15P	50	150	295	130	80	60	1178	10	MHHP-202	MPRJA-50P
MPRJA-100/15P	100	150	320	180	110	90	2309	20	MHHP-202	MPRJA-100P

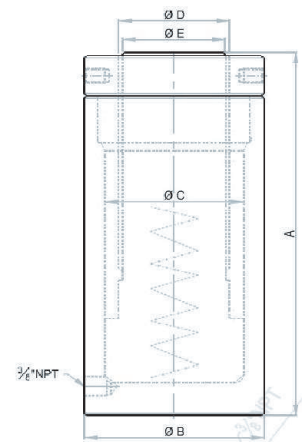
Mekaster Light Metal General Purpose – Threaded Ram with Safety Lock Nut, Single Acting Spring Return Cylinder.

Features :

- Almost half the weight of steel jack with same specifications.
- Composite Bearings as guide avoid metal to metal contact.
- Safety Lock Nut for Mechanical Load Holding.
- Inhibits corrosion resistance.

Application :

Suitable for application requiring sustained load holding, such as bridge support work in construction industries.
 Multipurpose application for maintenance in industries such as Steel, Cement and Power Plants.
 Base mounting holes are optional.



Model	Cylinder Capacity (Tonnes)	Stroke (mm)	Closed Height (mm) A	Cylinder OD (mm) B	Ram Dia (mm) D	Saddle Dia E	Oil Capacity (cc)	Weight Approx (Kg.)	Suitable Pump	Complete Set
MSRJA-30/15P	30	150	380	100	60	45	663	6	MHHP-202	MSRJA-30P
MSRJA-50/15P	50	150	325	130	80	60	1178	11	MHHP-202	MSRJA-50P
MSRJA-100/15P	100	150	370	180	110	90	2309	24	MHHP-202	MSRJA-100P

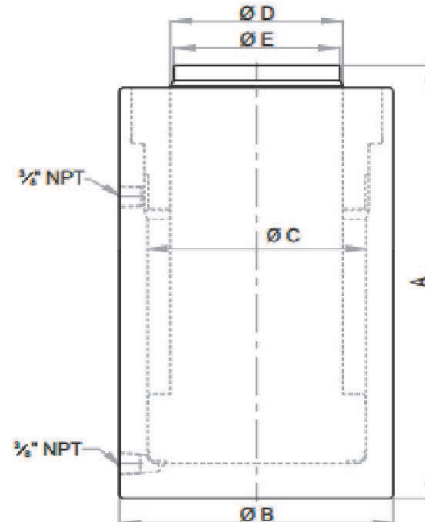
All Dimensions are in mm End Connection 3/8" NPT Female.
 Complete Set with Cylinder, Pump, Couplers, HP Hose, Pressure Gauge and Pressure gauge Adaptor Maximum Working Pressure 700 Bar.

Note : Design subject to revision due to constant improvement

PLAIN RAM DOUBLE ACTING

Application

Suitable for Lifting, positioning, horizontal or vertical application. Used in heavy fabrication, ship-building and construction industries.



General Purpose Jacks - Plain Ram Double Acting (Return by Oil)

Model	Ram Capacity (Tonnes)	Stroke (mm)	Oil Capacity (cc)	Closed Height (mm) A	Cylinder OD (mm) B	Ram Dia (mm) D	Weight Approx (Kg.)	Suitable Pump	Complete Set
MPRJD-10/15C	10	150	239	290	75	30	8.3	MHHPD-202	MPRJD-10/15P
MPRJD-15/15C	15	150	357	290	85	40	12	MHHPD-202	MPRJD-15/15P
MPRJD-20/15C	20	150	468	295	95	50	15	MHHPD-202	MPRJD-20/15P
MPRJD-25/15C	25	150	578	305	95	55	16	MHHPD-202	MPRJD-25/15P
MPRJD-30/15C	30	150	663	320	100	55	17	MHHPD-202	MPRJD-30/15P
MPRJD-50/15C	50	150	1178	330	130	70	27.8	MHHPD-202	MPRJD-50/15P
MPRJD-75/15C	75	150	1697	330	155	90	42	MHHPD-202	MPRJD-75/15P
MPRJD-100/15C	100	150	2309	350	175	110	55.6	MHHPD-402	MPRJD-100/15P
MPRJD-150/15C	150	150	3405	360	220	140	100	MHHPD-402	MPRJD-150/15P
MPRJD-200/15C	200	150	4713	380	255	150	132	MHHPD-402	MPRJD-200/15P
MPRJD-250/15C	250	150	5702	390	280	180	168	MHHPD-402	MPRJD-250/15P
MPRJD-300/15C	300	150	6786	400	310	180	198	MHEP-3-3-40HD	MPRJD-300/15EP
MPRJD-400/15C	400	150	8589	420	350	220	280	MHEP-3-3-40HD	MPRJD-400/15EP
MPRJD-500/15C	500	150	10604	445	400	240	356	MHEP-3-3-40HD	MPRJD-500/15EP
MPRJD-600/15C	600	150	12830	470	430	270	480	MHEP-3-5-50HD	MPRJD-600/15EP
MPRJD-800/15C	800	150	17012	495	505	300	688	MHEP-3-5-50HD	MPRJD-800/15EP
MPRJD-1000/15C	1000	150	21280	530	560	350	920	MHEP-3-5-50HD	MPRJD-1000/15EP

All Dimensions are in mm End Connection 3/8" NPT Female.

Complete Set with Cylinder, Pump, Couplers, HP Hose, Pressure Gauge and Pressure gauge Adaptor Maximum Working Pressure 700 Bar.

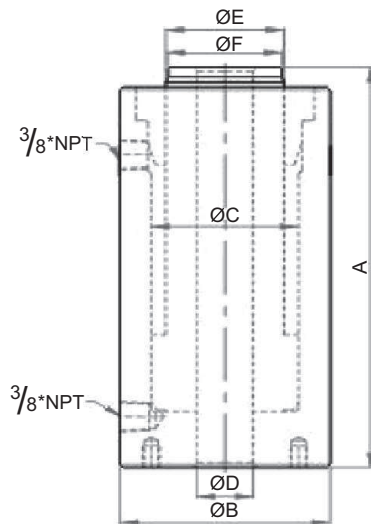
Note : Design subject to revision due to constant improvement

HOLLOW RAM JACK (CENTER HOLE) PLAIN RAM DOUBLE ACTING OIL RETURN

Application

With hydraulic pullers with mechanical accessories for removing and assembling bearing bushes, pins, cylinder liners, pulling tubes of heat exchangers, gears and flanges of machinery.

Used as bar / pre-stressing jacks in construction industries.



Hollow Ram Jacks (Center Hole) - Plain Ram, Double Acting, Oil Return

Model	Cylinder Capacity (Tonnes)	Stroke	Closed Height A	Cylinder OD B	C'Hole Dia D	Ram Dia E	Saddle Dia F	Weight Approx (Kg.)	Suitable Pump	Complete Set
MJHD-10/08C	10	75	210	75	20	40	38	4.7	MHHPD-202	MJHD-10/08P
MJHD-10/10C	10	100	235	75	20	40	38	5.5	MHHPD-202	MJHD-10/10P
MJHD-20/05C	20	50	195	100	27	60	58	10.2	MHHPD-202	MJHD-20/05P
MJHD-20/10C	20	100	245	100	27	60	58	11.4	MHHPD-202	MJHD-20/10P
MJHD-20/15C	20	150	295	100	27	60	58	12.7	MHHPD-202	MJHD-20/15P
MJHD-30/05C	30	50	210	115	33	70	67	15	MHHPD-202	MJHD-30/05P
MJHD-30/10C	30	100	260	115	33	70	67	18	MHHPD-202	MJHD-30/10P
MJHD-30/15C	30	150	310	115	33	70	67	21	MHHPD-202	MJHD-30/15P
MJHD-30/10C	30	100	270	115	33	70	87	26	MHHPD-202	MJHD-30/10P
MJHD-50/08C	50	75	260	140	42	90	97	30	MHHPD-202	MJHD-50/08P
MJHD-60/10C	60	100	285	155	54	100	97	32	MHHPD-202	MJHD-60/10P
MJHD-60/15C	60	150	335	155	54	100	97	36	MHHPD-202	MJHD-60/15P
MJHD-100/08C	100	75	290	200	77	130	126	52	MHHPD-202	MJHD-100/08P
MJHD-100/10C	100	100	315	200	77	130	126	56	MHHPD-202	MJHD-100/10P

All Dimensions are in mm End Connection 3/8" NPT Female.

Complete Set with Cylinder, Pump, Couplers, HP Hose, Pressure Gauge and Pressure gauge Adaptor Maximum Working Pressure 700 Bar.

Note : Design subject to revision due to constant improvement

Hydraulic Hand Pumps



Single Acting Hand Pump (700 Bar)

Model	Speed	Oil Tank Capacity	Pressure (Bar)		Flow/Stroke(cc)		Handle Effort (Kg)
			1st Stage	2nd Stage	1st Stage	2nd Stage	
MHHP-91	Single	1.8	-	700	-	2.8	40
MHHP-151	Single	2.2	-	700	-	2.8	40
MHHP-202	Double	5	30	700	49	2.8	40
MHHP-402	Double	8	30	700	49	2.8	40
MHHP-1002	Double	13	30	700	49	2.8	40
MHHP-1602	Double	20	30	700	49	2.8	40

Light Metal Single Acting Hand Pump (700 Bar)

Model	Speed	Oil Tank Capacity	Pressure (Bar)		Flow/Stroke(cc)		Handle Effort (Kg)
			1st Stage	2nd Stage	1st Stage	2nd Stage	
MHHP-91	Single	1	30	700	49	2.8	40



Double Acting Hand Pump (700 Bar)

Model	Speed	Oil Tank Capacity	Pressure (Bar)		Flow/Stroke(cc)		Handle Effort (Kg)	Control Valve
			1st Stage	2nd Stage	1st Stage	2nd Stage		
MHHPD-202	Double	5	30	700	49	2.8	40	With Rotary DCV
MHHPD-402	Double	8	30	700	49	2.8	40	With Rotary DCV
MHHPD-1002	Double	13	30	700	49	2.8	40	With Rotary DCV
MHHPD-1602	Double	20	30	700	49	2.8	40	With Rotary DCV

Note : Design subject to revision due to constant improvement



Double Acting Hand Pump (700 Bar)								
Model	Speed	Oil Tank Capacity	Pressure (Bar)		Flow/Stroke(cc)		Handle Effort (Kg)	Control Valve
			1st Stage	2nd Stage	1st Stage	2nd Stage		
MHHPD-202LH	Double	5	30	700	49	2.8	40	Load Holding Facility With DCV
MHHPD-402LH	Double	8	30	700	49	2.8	40	Load Holding Facility With DCV
MHHPD-1002LH	Double	13	30	700	49	2.8	40	Load Holding Facility With DCV
MHHPD-1602LH	Double	20	30	700	49	2.8	40	Load Holding Facility With DCV



Single Acting Hand Pump (1000 Bar)							
Model	Speed	Oil Tank Capacity	Pressure (Bar)		Flow/Stroke(cc)		Handle Effort (Kg)
			1st Stage	2nd Stage	1st Stage	2nd Stage	
MHHP-91/10	Single	1.8	-	1000	-	2.8	40
MHHP-151/10	Single	2.2	-	1000	-	2.8	40
MHHP-202/10	Double	5	30	1000	49	2.8	40
MHHP-402/10	Double	8	30	1000	49	2.8	40

Note : Design subject to revision due to constant improvement

Electric Operated



Electric Operate Pump, 3 Phase (700 Bar)

Model	H.P	Pump	Oil Tank Capacity	Flow(L/Min)		Specification
				up to 150 Bar	up to 700 Bar	
MHEP-3-2-20HS	2	Single	20	-	1.0	Hand Lever Operation
MHEP-3-2-40HS	3	Single	40	-	1.5	Hand Lever Operation
MHEP-3-5-50HS	5	Single	50	-	2.6	Hand Lever Operation
MHEP-3-7.5-80HS	7.5	Single	80	-	3.7	Hand Lever Operation
MHEP-3-2-40HD	2	Double	40	4.8	1.0	Hand Lever Operation
MHEP-3-3-40HD	3	Double	40	7.3	1.5	Hand Lever Operation
MMHEP-3-5-50HD	5	Double	50	12.3	2.6	Hand Lever Operation
MHEP-3-7.5-80HD	7.5	Double	80	17.3	3.7	Hand Lever Operation



Electric Operate Pump, 1 Phase (700 Bar)

Model	H.P	Pump	Oil Tank Capacity	Flow(L/Min)		Specification
				up to 150 Bar	up to 700 Bar	
MHEP-1-2-20HS	2	Single	20	-	1.0	Hand Lever Operation
MHEP-1-2-20HD	2	Double	20	3.8	1.0	Hand Lever Operation
MHEP-1-2-40HD	2	Double	40	4.8	1.0	Hand Lever Operation
MHEP-1-2-20PS	2	Double	20	-	1.0	Push Button Operation

Note : Design subject to revision due to constant improvement

720 Bar HP Hose, Spring Guard at both end-3 time Burst Pressure

Model	Length(Meter)	Pressure(Bar)	ID (mm)	End Connection
MRH-620	2	720	6	3/8"NPT Male
MRH-630	3	720	6	3/8"NPT Male
MRH-650	5	720	6	3/8"NPT Male



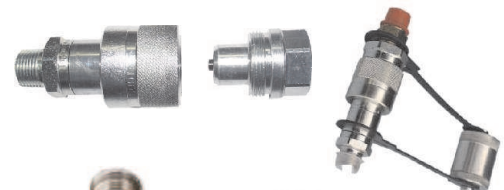
720 Bar HP Hose, Spring Guard at both end-3 time Burst Pressure

Model	Length(Meter)	Pressure(Bar)	ID (mm)	End Connection
MRH-620-10	2	720	10	3/8"NPT Male
MRH-630-10	3	720	10	3/8"NPT Male
MRH-640-10	4	720	10	3/8"NPT Male
MRH-650-10	5	720	10	3/8"NPT Male



720 Bar Quick Connect/Disconnect Screw Coupling

Model	End Connection	Type
MHQC-06C	3/8 NPT Male	Coupling
MHQC-06N	3/8 NPT Female	Nipple
MHQC-06	3/8 NPT Male/3/8 NPT Female	Coupling/Nipple



Dust Cap for Coupling and Nipple

Model	Specification
MHQC-06CC	Dust Cap for Coupling
MHQC-06NC	Dust Cap for Nipple



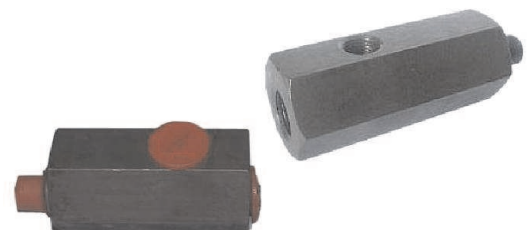
Pressure Gauge 0-1000 Bar (Glycerine Filled)

Model	Dia (mm)	Connection	End Connection
MHPG-063	63	Bottom	1/4" BSP Male
MHPG-0100	100	Bottom	1/2" BSP Male



Pressure Gauge Adaptor 700 Bar

Model	Type	End Connections
MHPG-063A	Hex	1/4" BSP (M) to suit pump, 1/4" BSP (F) gauge, 3/8" NPT (F) hose
MHPG-0100A	Hex	1/4" BSP (M) to suit pump, 1/2" BSP (F) gauge, 3/8" NPT (F) hose



Manifold Block Bar

Model	End Connection	Type	Port
MHMB-12PH	3/8 NPT Female	Hex without Shut Off Valve	1 x 2
MHMB-12P	3/8 NPT Female	Plain without Shut Off Valve	1 x 2
MHMB-14P	3/8 NPT Female	Plain without Shut Off Valve	1 x 4
MHMB-12NV	3/8 NPT Female	Plain with Shut Off Valve	1 x 2
MHMB-14NV	3/8 NPT Female	Plain with Shut Off Valve	1 x 4
MHMB-16NV	3/8 NPT Female	Plain with Shut Off Valve	1 x 6
MHMB-24NV	3/8 NPT Female	Plain with Shut Off Valve	2 x 4



Adaptors 700 Bar

Model	Specification
MSV-3NV	Line Mounted Shut Off Valve , Connection 3/8" NPT (M) x 3/8" (F)
MU-3FX3/8N	T-Connector, 3/8" NPT Female
MU-3/8BMX3/8BM	ADAPTOR THREAD SIZE : 3/8BSP (MALE)x3/8BSP (MALE)
MU-3/8BMX1/4NF	ADAPTOR THREAD SIZE : 3/8BSP (MALE)x1/4NPT (FEMALE)
MU-3/8NMX1/4NF	ADAPTOR THREAD SIZE : 3/8NPT (MALE)x1/4NPT (FEMALE)
MU-1/4NFX1/4NF	ADAPTOR THREAD SIZE : 1/4NPT (FEMALE)x1/4NPT (FEMALE)
MU-1/4NMX1/5NM	ADAPTOR THREAD SIZE : 1/4NPT (MALE)x1/4NPT (MALE)
MU-3/8NMX3/8NM	ADAPTOR THREAD SIZE : 3/8NPT (MALE)x3/8NPT (MALE)
MU-1/4BMX1/4NM	ADAPTOR THREAD SIZE : 1/4BSP (MALE)x1/4NPT (MALE)
MU-1/4BMX1/4NF	ADAPTOR THREAD SIZE : 1/4BSP (MALE)x1/4NPT (FEMALE)
MU-3/8NFX3/8NM	ADAPTOR THREAD SIZE : 3/8NPT (FEMALE)x3/8NPT (FEMALE)
MU-1/4BMX3/8NF	ADAPTOR THREAD SIZE : 1/4BSP (MALE)x3/8NPT (FEMALE)
MU-3/8BMX1/4NF	ADAPTOR THREAD SIZE : 3/8BSP (MALE)x1/4NPT (FEMALE)
MU-3/8NMX1/4NM	ADAPTOR THREAD SIZE : 3/8NPT (MALE)x1/4 (MALE)
MU-3/8NMX1/4NF	ADAPTOR THREAD SIZE : 3/8NPT (MALE)x1/4NPT (MALE)
MU-3/8BMX3/8NM	ADAPTOR THREAD SIZE : 3/8NPT (MALE)x1/4NPT (FEMALE)
MU-8BMX3/8NM	ADAPTOR THREAD SIZE : 3/8BSP (MALE)x3/8NPT (MALE)
MU-3/8BMX3/8NF	ADAPTOR THREAD SIZE : 3/8BSP (MALE)x3/8NPT (FEMALE)



Mekaster Tool Kits are fabricated after stringent quality controls. Each tool kit is designed keeping in view operator's requirement to help the user to complete the job in shortest possible time.



1. **M-1158-AMB**- General Service tool set with 158 tools in SAE & Metric range in box no MEK-201 Approx weight 58 kgs.
2. **M-190-AB**- Basic Service Tool Set with 90 tools in SAE range in box no. MEK-102. Approx weight 30 kgs.
3. **M-198-MB**- General service tool set with 98 tools in Metric range in box no MEK-102. Approx weight 28 kgs.
4. **M-1104-MB**- Mechanic's service tool set with 104 tools in Metric range in box no MEK-102. Approx weight 28 kgs.
5. **M-1101-AMB**- Machine Shop Maintenance service tool set with 101 tools in SAE & Metric ranges in box no MEK-102. Approx weight 30 kgs.

6. **M-1123-MB**- Maintenance Tool set with 123 tools in Metric ranges in Box no. MEK-201. Approx weight 55.5 kgs.
7. **M-1103-MB**- Fitter's/Special Dockyard's Fitter Tool Kit with 103 tools in Metric range in Box No. MEK-102 Approx weight 31 kgs.
8. **M-1071-MB**- Electrician Tool set with 71 tools in Metric range in box no MEK-103. Approx weight 15 kgs
9. **M-1072-AB**- Garage Maintenance tool set with 72 tools in SAE range in box no MEK-102. Approx weight 28.8 kgs.
10. **M-1073-AB**- Garage Maintenance tool set with 73 tools in SAE range in box no MEK-102. Approx weight 30 kgs.

11. **M-1076-MB**- Garage Maintenance tool set with 76 tools in Metric range in box no MEK-102. Approx weight 29 kgs.
12. **M-1077-MB**- Garage Maintenance tool set with 77 tools in SAE range in box no MEK-102 Approx weight 30 kgs.
13. **M-1189-AMB**- Master Mechanic General Service Tools Set with 189 tools in SAE & Metric range in box no MEK-202. Approx weight 83 kgs.
14. **M-1190-AMB**- Master Mechanic General Service Tools Set with 190 tools in SAE & Metric range in box no MEK-202 Approx weight 90 kgs.
15. **M-1086-AB**- Water Drilling Ring Tool Set with 86 tools in SAE range in Box No. MEK-102S. Approx weight 35 kgs.

Specials:

Besides standard tools kits we also specialize in fabricating special tool kits to suit customer specific needs, MEKASTER tool kits also supplied as O.E. maintenance tools with various equipment by the manufacturers.

Notes

1. Heavy Duty Roll-Cabs also Available with tool kits.
2. Tool List contains best quality tools of Indian origin.
3. Each tool kit/box/chest is supplied with a free sturdy padlock and two keys in an attractive key-chain.
4. Please order tool kits by referring to part nos. only.

Steel Boxes & Roll Cabs

MEKASTER
INDUSTRIAL

TOOLS

Heavy Gauge spot-welded construction, full-length piano hinge, partitioned compartments, tote tray, reinforced lid with oven baked red enamel finish for high durability.



Part No.	Overall Dimensions			No. of Partitions	Dimension Tote Tray			Approx. Tool	Approx. Weight (Kg)
	L	W/D	ht.		L	W/D	ht.		
MEK-102	533	229	229	4	495	212	55	80	11.5
MEK-102S	610	254	254	4	570	228	60	100	12.4
MEK-103	457	203	152	4	420	182	38	55	6.5
MEK-104	320	152	154		282	135	40	25	3.5

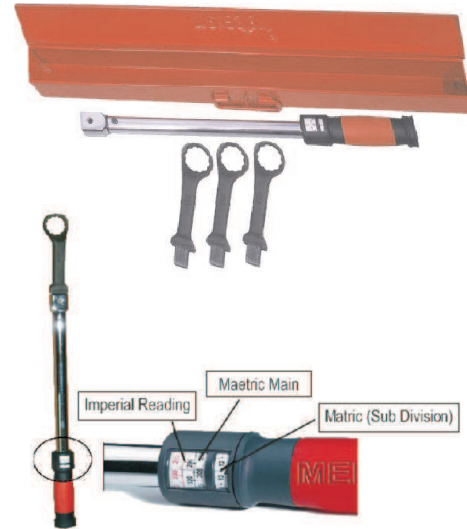


Part No.	Overall Dimensions			No. of Partitions	Dimension Tote Tray			Approx. Tool	Approx. Weight (Kg)
	L	W/D	ht.		L	W/D	ht.		
MEK-201	600	280	400	3	555	260	60	120	26.5
MEK-202	600	280	430	4	555	260	60	165	29.0
MEK-202S	660	330	435	4	620	305	60	175	42.5
MEK-203	635	310	240	2				70	27.0
MEK-204	660	375	445	6				180	39.0
MEKR-1001	622	457	762	6				200	56.0
MEKR-1005	787	355	578					52	50.0

All dimensions are in mm

TORQUE WRENCH SET FOR AXLE PULLEY BOLTS

- Specially Designed Torque Wrench for precise torquing of Axle Pulley M20 Bolts.
- Torque Capacity 40 to 200 Nm.
- Optimised Length of tool in order to fit in the Axle Pulley. Light Weight design for higher efficiency of operator.
- Low Clearance, for fitment of Torque Wrench Assembly.
- Setting Torque vs. Achieving Torque chart will be provided.
- Torque setting locking arrangement has been designed in such a way that setting cannot be tempered without use of special tool, however easy adjustment can be made without use of Torque Tester.
- Ergonomic Soft Grips are less tiring and more comfortable to use.
- Complete set including Torque Wrench (1 no.), Ring Attachment of size 30mm (3nos). All stored in suitable Steel Box.



MEKASTER POWER WRENCH

- Consist of Light Weight Torque Multiplier Ratio 6:1, Max Capacity 1690Nm with Reaction Bar, Socket A/F Size 1.13/16", Anchor Socket.
- Light Weight Torque Wrench Capacity 30-250 Lbs Ft.
- All Stored in Steel Box



MEKASTER TIE ROD PRESS

Mekaster Tie Rod Press for insertion and removal of spherical block bush of WAG 9. Press having following specification:-

Capacity 50 Tonnes Max
 Stroke 250mm
 Ram Type: Double Acting Hollow Ram
 Fixture :- 2 Sets (For insertion and removal)



Note : Design subject to revision due to constant improvement

MEKASTER CARTRIDGE TAPER ROLLER BEARING EXTRACTOR

Mekaster Cartridge Taper Roller Bearing Extractor suitable for mounting of cartridge. Taper Rolling Bearing Units Timken E Class(5.5/11.5”), Timken F Class (6.5”/12”), NBBC 20 Ton (130 mm Dia) & NBBC 16.5 Ton(120mm Dia) fixed on GE-Shuting Loco Axel Bearings & Wagon Axels.

Scope : Hydraulic Mobile Press (Horizontal) Double acting Electric Hydraulic puller cum installer for cartridge type Taper Roller Bearing Unit (CTRB) having pulling (dismounting) force of 100t and installing (mounting) free of 70 tones, incorporating Hydraulic Power pack (working pressure 700 bar) with solenoid valve operated control - power operated.



MEKASTER HYDRAULIC JACK WITH TRAVERSE BASE

For Rail Coaches, bridge riggers, and for all combination lifting and lateral moving of loads.



Specification :

Model	MSRJ-75-25TBP	MSRJ-100-25TBP
Cylinder Type	Single Acting, Spring Return Threaded Ram with Safty Lock Nut	Pair with Common Pump Partno
Capacity	75 Tonnes	100 Tonnes
Stroke	250	250
Traverse Length	300	300
Overall Height with Traverse Base	590	620
Overall Length of Traverse Base	650	650
Width Approx (Max)	355	355
Maximum Working Pressure	700 Bar	700 Bar

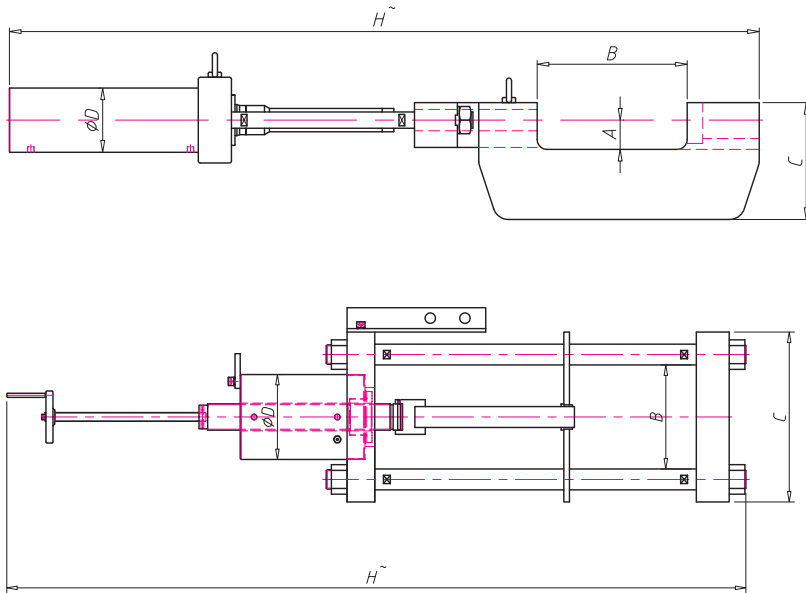
Optional with Double Speed Hand Pump or electrically operated 3 phase/single phase pump

Note : Design subject to revision due to constant improvement

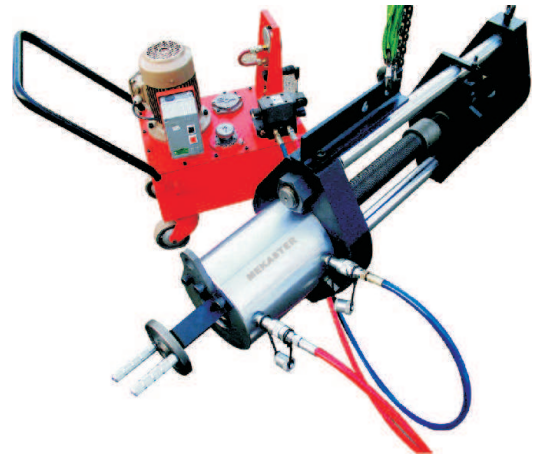
HYDRAULIC TRACK LINK PIN PRESS

Capacity 100 Ton

Mekaster Master pin pusher / installing machine is specially designed for tracked machines, tractors, loaders, shovels, excavators, etc. the machine is suitable for use with Caterpillar Komatsu and poclain make track machines. The machine is safe and simple to use. The hydraulic force ensures smooth operation, thereby avoiding damage to the components of the track assembly.



Optional with Double Speed Hand Pump or electrically operated 3 phase/single phase pump



Model	Capacity (Tonnes)	Construction	Stroke	Overall Length 'H'	Cyl OD 'ØD'	Throat (A)	Gap (B)	Height (C)	Screw ADJ.	Weight Kgs	Cylinder Type
MTPP-100H	100	C-Frame	350	1925	165	75	385	300	-	230	HOLLOW RAM DOUBLE ACTING
MTPP-150H	150	Tie Rod	150	2131	245	-	300	490	400	300	SOLD RAM DOUBLE ACTING

UNIVERSAL PRESSURE TESTING KIT

MODEL MUPT-024

UNI-TEST, universal pressure testing kit comes complete, for monitoring pressure in any mobile hydraulic circuit. It is also suitable for hydraulic systems in stationary machinery, as well as for system using other media.

UNI-TEST, has several test nipples included with different thread sizes and standards, as well as two complete hose assemblies with diagnostic couplings fitting both cejn and minimess type test nipples.

The pressure gauges, which are liquid filled for vibration damping are made of stainless steel and equipped with synthetic rubber covers for use in demanding applications & allows monitoring upto 600bar/9000psi



Note : Design subject to revision due to constant improvement

MEKASTER TROLLEY MOUNTED MOBILE HYDRAULIC JACK

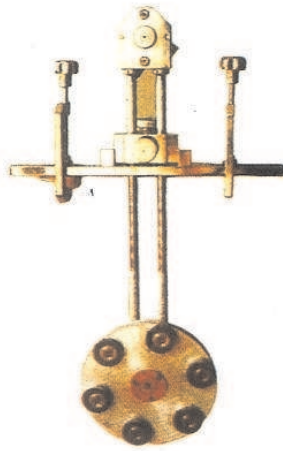
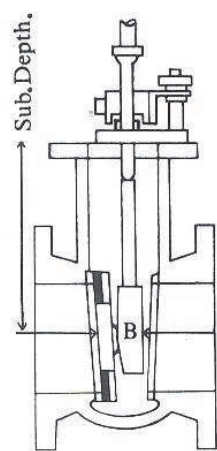
Specially designed for maintenance of heavy earth moving equipments, railway diesel/electric locos, wagons, coaches etc.



Model	Capacity (Tonnes)	Stroke (MM)	Closed Height (mm)	Operating Pressure (bar)	Electric Motor Type	Cylinder Type	Ram Type	Mode of Operation
MTMJ-30/58EP	30	580	472	700	2 H.P Single Phase	Aluminium	Telescopic	Push Button
MTMJ-35/54EP	35	540	800	700	2 H.P Single Phase	Steel	Plain	Manual
MTMJ-60/58EP	60	580	472	700	2 H.P Single Phase	Aluminium	Telescopic	Push Button
MTMJ-100/40EP	100	400	650	700	2 H.P Single Phase	Steel	Plain	Push Button

* Spare accessories like extension pieces & locking 'U' rings are available on request.

Note : Design subject to revision due to constant improvement



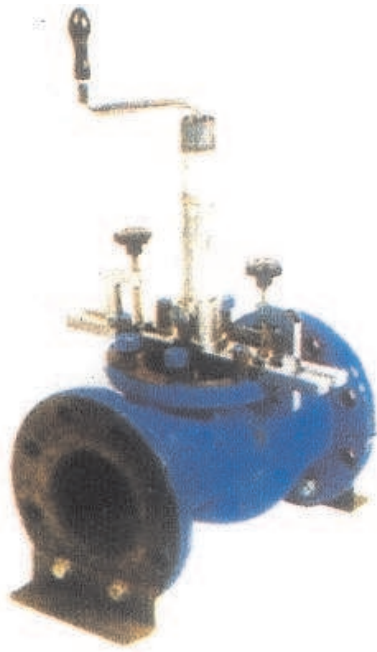
Gate and Parallel Slide Valves Specification

Model	MIGP-125	MIGP-300	MIGP-400	MIGP-600
Features				
Capacity	40, 50, 65	100, 125, 150, 175	150, 175, 200	300, 350, 400, 450
(Nominal size) mm	80, 100, 125	200, 225, 250, 300	225, 250, 300, 400	500, 550, 600
No. of Holdings Plates	6	8	8	7
Minimum operating width (mm)	38	60	60	70
Maximum Submersible depth (mm)	300	600	550	1000
Grinding head dia (mm)				
1. Standard	24 & 35 (6 nos each)	34 & 48 (6 nos each)	48 (6 nos each)	48 (6 nos each)
2. For wide seats	-	-	60 & 80 (6 nos each)	60 & 80 (6 nos each)
Drive	Air Motor	Air Motor	Air Motor	Air Motor
Nominal operating pressure(bar)	6	6	6	6
Weight (Approx)				
1. In Operation (Kgs)	4	14	15	18
2. Complete carrying case (Kgs)	20(one case)	65(two case)	75(two case)	110(two case)
Case Dimensions	700x500x200	560x925x200	510x510x200	690x690x200
Approx (mm)		510x510x200	870x600x200	1300x650x200

Notes

- Complete Machine consists of Basic Machine, Holding Plates, Electric/ Pneumatic Motor with built-in speed control, Manual Reversion Handle, 'c' clamps (2 nos), special clamp set (2 nos) for flangeless valves, grinding heads with thrust bearings, Washers & screws, inspection mirror with torch, initial set of grinding papers, essential tools, O&M manual.
- 220V/50Hz, Single Phase Electric Drive version of MIGP-125 & MIGP-300 is also available. Please suffix "E" to part nos.
- MIGP-300, 400, & 600 are equipped with quick clamping/un clamping arrangements to facilitate change of grinding papers without removing mounting brackets.
- It is also possible to grind the wedge of slide valves by mounting it on the base plate of carrying case in above tools.

Note : Design subject to revision due to constant improvement



Globe and Safety Valves (Flat Sizes) Specification

Model	MIGS-125	MIGS-125E	MIGS-300	MIGS-300E
Features				
Capacity (Nominal size) mm	40, 50, 65 80,100, 125	40, 50, 65 80,100, 125	100, 125, 150, 175, 200, 225, 250 & 300	100, 125, 150, 175, 200, 225, 250 & 300
No. of Holdings Plates	6	6	8	8
Maximum Submersible depth (mm)	250	250	600	600
Grinding head dia (mm)	24 (6 nos each)	24 (6 nos each)	28 (6 nos each)	28 (6 nos each)
Drive	Air Motor	Electric Motor	Air Motor	Electric Motor
Nominal operating pressure/Voltage	6 kgf./cm.sq	220V-50/1	6 kgf/cm. sq	220V-50/1
Weight (Approx)				
1. In Operation (Kgs)	4.5	5	10	10.5
2. Complete carrying case	17.5	23	28	30
Case Dimensions	630x480x200	700x500x200	870x600x200	870x600x200

Clamps Set (2 Nos. for Flangeless Valves, Grinding Heads with Thrust bearings, Washers & Screws, Torch, Initial Set of Grinding Papers, Essential Tools, O&M Manual.)

Globe and Safety Valves (Small Sizes) Specification

Model	MIGS-065P	MIGS-065E	MIGC-065P	MIGC-065E
Type of Seats	Flat	Flat	Conical	Conical
Features				
Capacity (Nominal size) mm	6, 10, 15, 20, 25, 32, 40, 45, 50 & 60	6, 10, 15, 20, 25, 32, 40, 45, 50 & 60	6, 10, 15, 20, 25, 32, 40, 45, 50 & 60	6, 10, 15, 20, 25, 32, 40, 45, 50 & 60
Included Angle (Seat Angle)			30(15), 60(30) & 90(45) degrees	30(15), 60(30) & 90(45) degrees
No. of grinding plates/Cones	9	9	27	27
Maximum Submersible depth (mm)	225	225	225	225
Drive	Pneumatic Motor	Electric Motor	Pneumatic Motor	Electric Motor
Nominal operating pressure/Voltage	6 kgf/cm. sq	220V-50/1	6 kgf/cm. sq	220V-50/1
Case Dimensions	610x430x190	610x430x190	610x430x190	610x430x190
Approx (mm)				

Complete machine consists of Basic machine, tool holders, flat plates/grinding cones with complete clamping nuts, motors with regulator guide cones, torch initial set of grinding papers, essentials tools and O&M manuals.

Note : Design subject to revision due to constant improvement

Across Flat of Nuts (Nominal Size) for Various Thread Diameter

MEKASTER
INDUSTRIAL

TOOLS

Metric		
Across Flat (mm)	Nominal Hex (Bolt Dia)	Large Hex (Bolt Dia)
3.2	M 1.6	
4	M 2	
5	M 2.5	
5.5	M 3	
7	M 4	
8	M 5	
10	M 6	
11	M 7	
13	M 8	
16	M 10	
17 *	M 10	
18	M 12	
19 *	M 12	
21	M 14	M 12
22*	M 14	
24	M 16	M 14
27	M 18	M 16
30	M 20	M 18
32 *	M 22	
34	M 22	M 20
36	M 24	M 22
41	M 27	M 24
46	M 30	M 27
50	M 33	M 30
55	M 36	M 33
60	M 39	M 36
65	M 42	M 39
70	M 45	
75	M 48	
80	M 52	
85	M 56	
90	M 60	
95	M 64	
100	M 68	
105	M 72	
110	M 76	
115	M 80	
120	M 85	
130	M 90	
135	M 95	
145	M 100	
150	M 105	
155	M 110	
165	M 115	
170	M 120	
180	M 125	
185	M 130	
200	M 140	
210	M 150	

American			
Across Flat (inch)	Machine Screw (ANSI-B-18-63 1972.R.1977)	Thread Dia (inches) Nuts (ANSI B-18.2.2-1972) Bolts (ANSI B-18.2.1-1972)	
	(Bolt Dia)	Nominal Hex (Bolt Dia)	Large Hex (Bolt Dia)
5/32	0&1		
3/16	2&3		
7/32			
1/4	4		
9/32			
5/16	5 & 6		
11/32	8		
3/8	10		
7/16	12 & 1/4	1/4	
1/2		5/16	1/4
9/16	5/16	3/8	5/16
5/8	3/8		
11/16		7/16	3/8
3/4		1/2	7/16
13/16			
7/8			1/2
15/16		5/8	9/16
1			
1.1/16			5/8
1.1/8		3/4	
1.1/4			3/4
1.5/16		7/8	
1.7/16			7/8
1.1/2		1	
1.5/8			1
1.11/16		1.1/8	
1.13/16			1.1/8
1.7/8		1.1/4	
2			1.1/4
2.1/16		1.3/8	
2.3/16			1.3/8
2.1/4		1.1/2	
2.3/8			1.1/2
2.7/16		1.5/8	
2.9/16			1.5/8
2.5/8		1.3/4	
2.3/4			1.3/4
2.13/16		1.7/8	
2.15/16			1.7/8
3		2	
3.1/8			2
3.3/8		2.1/4	
3.1/2			2.1/4
3.3/4		2.1/2	
3.7/8			2.1/2
4.1/8		2.3/4	
4.1/4			2.3/4
4.1/2		3	
4.5/8			3
4.7/8		3.1/4	
5			3.1/4
5.1/4		3.1/2	
5.3/8			3.1/2
5.5/8		3.3/4	
5.3/4			3.3/4
6		4	
6.1/8			4

*Old sizes as per I.S.

The most convenient method of estimating torque required to achieve proper tension into threaded fasteners for given conditions has been by means "FARR'S FORMULA" which is widely used for estimating torque.

Metric Fasteners

$$T_w = \frac{F}{1000} \left(\frac{P}{2\pi} + \frac{Rt.ft}{\cos d} + Rn.fn \right)$$

SAE Fasteners

$$T_w = \frac{F}{12} \left(\frac{P}{2\pi} + \frac{Rt.ft}{\cos d} + Rn.fn \right)$$

Where

- T_w** - Torque input value in Kgf. M / Lbft.
- F** - Required Bolt Tension in Kgf / Lbf.
- P** - Thread Pitch in mm / inch.
- Rt.** - Average mean radius in mm from the axis of the bolts (Effective contact Radius of the threads in mm / inch)
- Rn** - The effective contact radius in mm / inch between nut and joint surface.
- Cosd** - Cosine of half angle of the threads (30 degree for ISO / UN thread).
- ft** - Coefficient of friction between nut and bolt threads..
- fn** - Coefficient of friction between face of the nut and the joint surface (Normally ft = fn).

Note: -Above is generally valid for a precision nut / bolt combination with lubricant applied on threads and nut face. Value of ft/fn as under.

Lubricant	ft	fn
Machine Oil	0.15	0.15
Mo2S Based	0.060	0.060
API SA2	0.117	0.117
Copper/Graphite	0.100	0.100

Please contact support@mekastertools.com for a ready to use MS Excel format along with your complete contact details.

Torque Conversion Chart

Units to be Converted ▼	International System - S.I.			Imperial			Metric		
	m N.m	c N.m	N.m	ozf.in	lbf.in	lbf.ft	gf.cm.	kgf.cm	kgf.m
1ozf.in =	7,062	0,706	0,007	1	0,0625	0,005	72	0,072	0,0007
1 lbf.in =	113	11,3	0,113	16	1	0,083	1152,1	1,152	0,0115
1 lbf.ft =	1356	135,6	1,356	192	12	1	13826	13,83	0,138
1 gf.cm =	0,098	0,01	0,0001	0,014	0,0009	0,000 07	1	0,001	0,000 01
1 kgf.cm =	98,07	9,807	0,098	13,89	0,868	0,072	1000	1	0,01
1 kgf.m =	9807	980,7	9,807	1389	86,8	7,233	100,000	100	1
1 mN.m =	1	0,1	0,001	1,142	0,009	0,007	10,2	0,01	0,0001
1 cN.m =	10	1	0,01	1,416	0,088	0,007	102	0,102	0,001
1 N.m =	1000	100	1	141,6	8,851	0,738	10,197	10,20	0,102

Note : 1kgf.m = 1kp.m

